

1530nm 2W H-mount Laser Diode | Window Package | FAC Optional | Square Beam Optional

1530nm~1540nm 2W Laser Diode| High Power LD| 2W Output Power| Hermetic Package

WSLD-1530-002-H

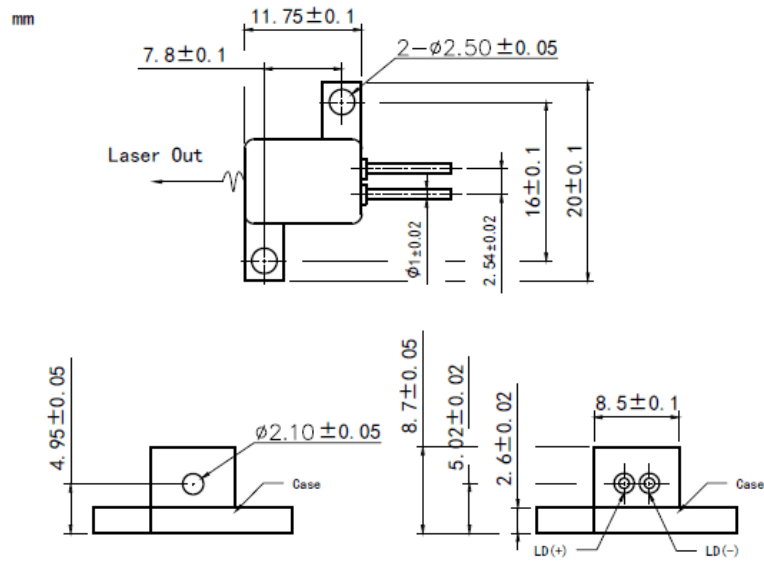
Wavespectrum Laser Group

www.wavespectrum-laser.com

1530nm Laser Diode		2W/H-mount		Wavespectrum Laser Group	
PARAMETER	SYMBOL	VALUE		UNIT	
Reverse Voltage	V_r	2.0		V	
Operating Temperature	T_{op}	+10~+30		°C	
Storage Temperature	T_{stg}	-20~+80		°C	
Lead soldering temperature (10 sec.)	T_{is}	260		°C	
Features: <ul style="list-style-type: none"> ● 1530nm ● Multi-mode ● H-mount Package (Window Package) ● FAC Lens Optional 					
Applications: <ul style="list-style-type: none"> ● Medical Laser Treatment ● Sensing ● Others 					
Specifications		WSLD-1530-002-H			
		Min	Type	Max	
Center Wavelength@25°C		±10nm	1530nm	±30nm	
Spectral Width (FWHM)			15.0nm		
Output Power		----	2W	----	
Emitter Area		----	100x1μm	-----	
Beam Divergence (FWHM)		----	35° _⊥ x 10° _{//}	----	
Temperature Coefficient of Wavelength		----	0.7nm / °C	----	
Slope Efficiency		----	0.3W/A	----	
Threshold Current (Typ.)		----	0.5A	----	
Operating Current (Typ.)		----	7.5A	----	
Operating Voltage		----	2.0V	----	
Package Style		H-mount			
Recommended Operating Temperature		25°C			



H-mount Package View



**Electrically shorten LD module and store in non-extreme conditions.
Suggest using the constant current power supply.**

