


1470nm 1W Laser Diode with C-mount Package | with FAC Lens Optional
1470nm 1W High Power LD |Hermetic Package Optional | Square or Line Beam Optional

WSLD-1470-001-C

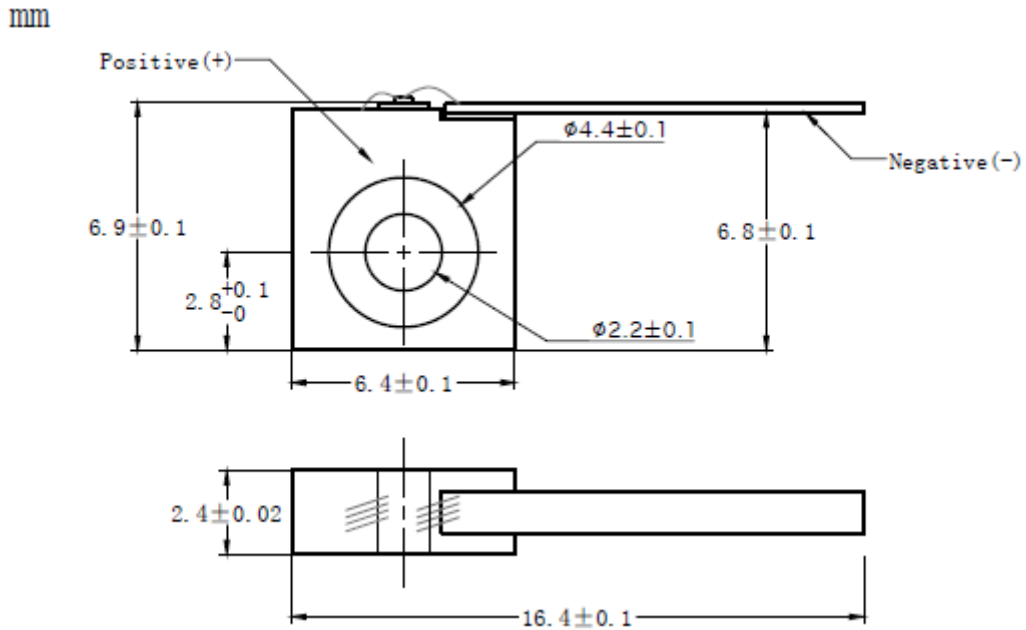
Wavespectrum Laser Group

www.wavespectrum-laser.com

1470nm Laser Diode	1W/C-mount	en.wavespectrum-laser.com.cn	
Reverse Voltage	V_r	2.0	V
Operating Temperature	T_{op}	+10~+30	°C
Storage Temperature	T_{stg}	-20~+80	°C
Lead soldering temperature (10 sec.)	T_{is}	260	°C
Features: <ul style="list-style-type: none"> 🔸 1470nm 🔸 1W Power 🔸 C-mount Package 🔸 FAC Lens Optional (Square Beam) 			
Applications: <ul style="list-style-type: none"> 🔸 Medical Laser Treatment 🔸 Others 			
Specifications	WSLD-1470-001-C		
	Min	Type	Max
Center Wavelength@25°C	+/-10nm	1470nm	+/-30nm
Spectral Width (FWHM)	----	7.0nm	10.0nm
Output Power	----	1W	----
Emitter Area	----	85x1μm	----
Beam Divergence (With FAC Lens)	----	8°_⊥ x 35°_{//}	----
Temperature Coefficient of Wavelength	----	0.7nm / °C	----
Slope Efficiency	----	0.4W/A	----
Threshold Current (Typ.)	----	0.2A	0.5A
Operating Current (Typ.)	----	2.7A	3.0A
Operating Voltage	----	1.3V	1.5V
Package Style	C-mount		
Recommended Operating Temperature	25°C		



C-mount Package View



Electrically shorten LD module and store in non-extreme conditions.

Suggest using the constant current power supply.

