


1470nm 1W Laser Diode with TO3 Package | FAC Lens Optional
1470nm 1W Power | High Power LD | Hermetic Package | Square or Line Beam Optional

WSLD-1470-001-3

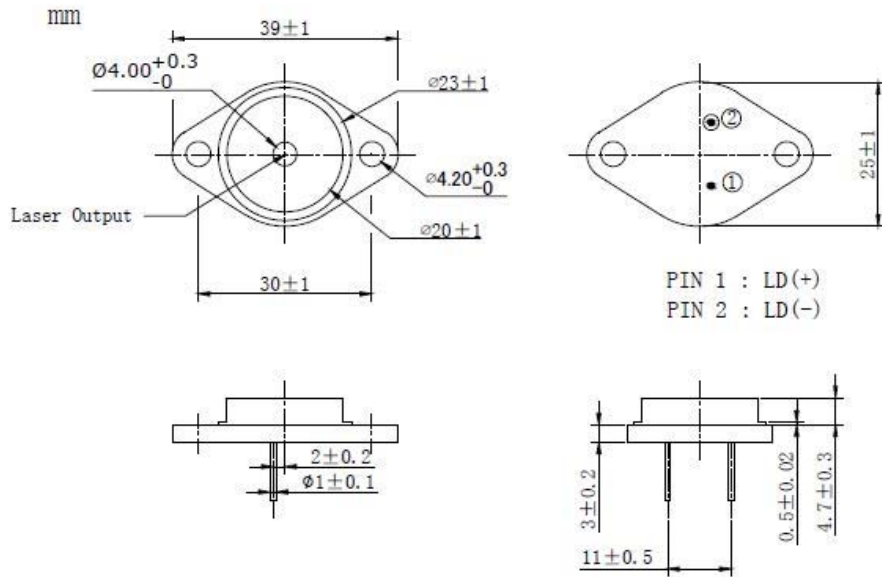
Wavespectrum Laser Group

www.wavespectrum-laser.com

1470nm Laser Diode 1W/TO3		en.wavespectrum-laser.com.cn	
Reverse Voltage	V_r	2.0	V
Operating Temperature	T_{op}	+10 ~ +30	°C
Storage Temperature	T_{stg}	-20 ~ +80	°C
Lead soldering temperature (10 sec.)	T_{is}	260	°C
Features: <ul style="list-style-type: none"> ● 1470nm ● 1W Power ● TO3 Package ● FAC Lens Optional (Square Beam) 			
Applications: <ul style="list-style-type: none"> ● Medical Laser Treatment ● Others 			
Specifications	WSLD-1470-001-3		
	Min	Type	Max
Center Wavelength@25°C	+/-10nm	1470nm	+/-30nm
Spectral Width (FWHM)	----	7.0nm	10.0nm
Output Power	----	1W	----
Emitter Area	----	85x1μm	----
Beam Divergence (With FAC Lens)	----	8° _⊥ x 35° _{//}	----
Temperature Coefficient of Wavelength	----	0.7nm / °C	----
Slope Efficiency	----	0.4W/A	----
Threshold Current (Typ.)	----	0.2A	0.5A
Operating Current (Typ.)	----	2.7A	3.0A
Operating Voltage	----	1.3V	1.5V
Package Style	TO3		
Recommended Operating Temperature	25°C		



T03 Package View



Electrically shorten LD module and store in non-extreme conditions.
 Suggest using the constant current power supply.

