

**1310nm 1.5W Laser Diode with TO3 Package | FAC Lens Optional | Hermetic Package**  
**1310nm~1320nm| 1.5W Power |TO3 Package | Square or Line Beam Optional**

WSLD-1310-1500m-3

Wavespectrum Laser Group

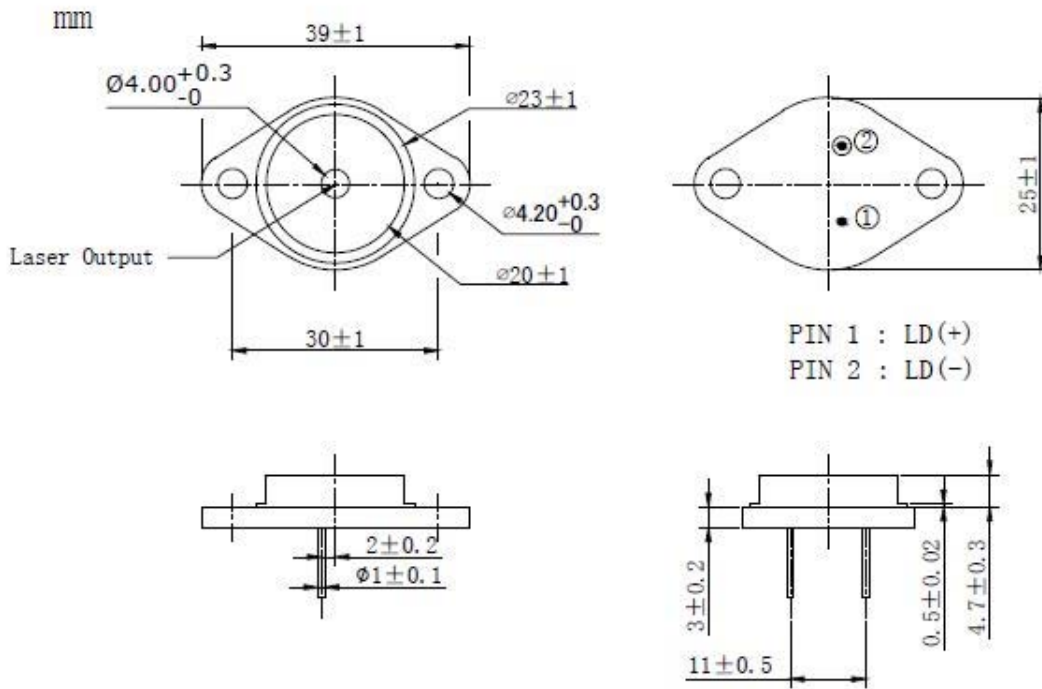
[www.wavespectrum-laser.com](http://www.wavespectrum-laser.com)

1310nm Laser Diode		1.5W/TO3		Wavespectrum Laser Group	
PARAMETER	SYMBOL	VALUE	UNIT		
Reverse Voltage	$V_r$	2.0	V		
Operating Temperature	$T_{op}$	+10~+30	°C		
Storage Temperature	$T_{stg}$	-20~+80	°C		
Lead soldering temperature (10 sec.)	$T_{is}$	260	°C		
<b>Features:</b> <ul style="list-style-type: none"> <li>1310nm</li> <li>1.5W Power</li> <li>TO3 Package</li> <li>FAC Lens Optional (Square or Line Beam)</li> </ul>					
<b>Applications:</b> <ul style="list-style-type: none"> <li>Medical Laser Treatment</li> <li>Others</li> </ul>					
<b>Specifications</b>		<b>WSLD-1310-1500m-3</b>			
		<b>Min</b>	<b>Type</b>	<b>Max</b>	
Center Wavelength@25°C		+/-10nm	1310nm	+/-30nm	
Spectral Width (FWHM)		----	6.0nm	10.0nm	
Output Power		----	1.5W	----	
Emitter Area		----	85x1μm	----	
Beam Divergence (With FAC Lens)		----	8° <sub>⊥</sub> x 28° <sub>//</sub>	----	
Temperature Coefficient of Wavelength		----	0.7nm / °C	----	
Slope Efficiency		----	0.5W/A	----	
Threshold Current (Typ.)		----	0.4A	0.7A	
Operating Current (Typ.)		----	3.3A	3.5A	
Operating Voltage		----	1.3V	1.5V	
Package Style		TO3			
Recommended Operating Temperature		25°C			

Wavespectrum Laser Group

[www.wavespectrum-laser.com.cn](http://www.wavespectrum-laser.com.cn)
[sales@wavespectrum-laser.com.cn](mailto:sales@wavespectrum-laser.com.cn)


### T03 Package



Electrically shorten LD module and store in non-extreme conditions.  
 Suggest using the constant current power supply.



Wavespectrum Laser Group  
[www.wavespectrum-laser.com.cn](http://www.wavespectrum-laser.com.cn)  
[sales@wavespectrum-laser.com.cn](mailto:sales@wavespectrum-laser.com.cn)

