

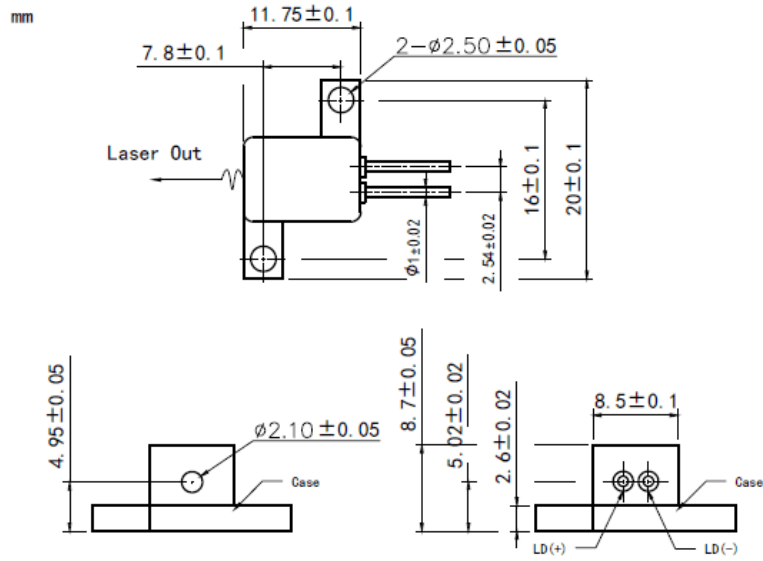


**1270nm~1280nm 1.5W Laser Diode | H-mount Package | FAC Lens Optional | Hermetic Package  
1280nm~1290nm| 1.5W Output Power |Window Package | Square or Line Beam Optional  
WSLD-1280-1500m-H**      **Wavespectrum Laser Group**      **www.wavespectrum-laser.com**

1280nm Laser Diode		1.5W/H-mount		Wavespectrum Laser Group	
PARAMETER	SYMBOL	VALUE		UNIT	
Reverse Voltage	$V_r$	2.0		V	
Operating Temperature	$T_{op}$	+10~+30		°C	
Storage Temperature	$T_{stg}$	-20~+80		°C	
Lead soldering temperature (10 sec.)	$T_{is}$	260		°C	
<b>Features:</b> <ul style="list-style-type: none"> <li>1280nm</li> <li>1.5W Power</li> <li>H-mount Package (Window Package)</li> <li>FAC Lens Optional (Square or Line Beam)</li> </ul>					
<b>Applications:</b> <ul style="list-style-type: none"> <li>Medical Laser Treatment</li> <li>Others</li> </ul>					
Specifications		WSLD-1280-1500m-H			
		Min	Type	Max	
Center Wavelength@25°C		1260nm	1280nm	1300nm	
Spectral Width (FWHM)		----	6.0nm	10.0nm	
Output Power		----	1.5W	----	
Emitter Area		----	85x1µm	----	
Beam Divergence (With FAC Lens)		----	10° <sub>⊥</sub> x 35° <sub>//</sub>	----	
Temperature Coefficient of Wavelength		----	0.7nm / °C	----	
Slope Efficiency		0.5W/A	----	----	
Threshold Current (Typ.)		----	0.3A	0.6A	
Operating Current (Typ.)		----	3.3A	3.6A	
Operating Voltage		----	1.3V	1.5V	
Package Style		H-mount			
Recommended Operating Temperature		25°C			



## H-mount Package



**Electrically shorten LD module and store in non-extreme conditions.**

**Suggest using the constant current power supply.**

