

**1270nm~1280nm 1.5W Laser Diode with TO3 Package | FAC Lens Optional | Hermetic Package
 1280nm~1290nm| 1.5W Power |TO3 Package | Square or Line Beam Optional**

WSLD-1280-1500m-3

Wavespectrum Laser Group

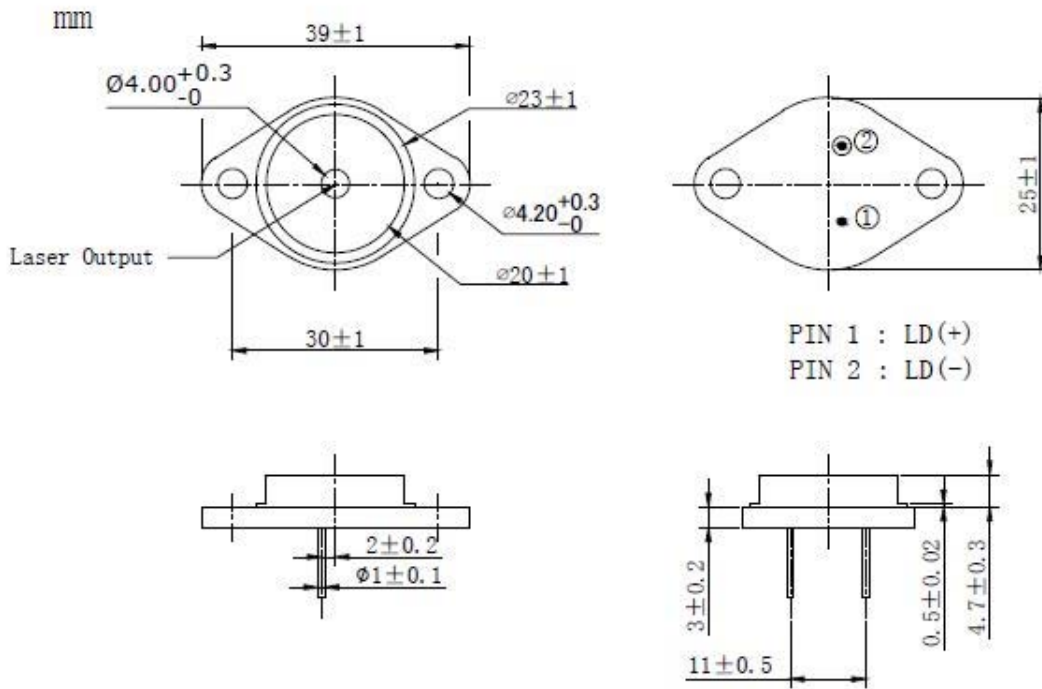
www.wavespectrum-laser.com

1280nm Laser Diode		1.5W/TO3		Wavespectrum Laser Group	
PARAMETER	SYMBOL	VALUE	UNIT		
Reverse Voltage	V_r	2.0	V		
Operating Temperature	T_{op}	+10~+30	°C		
Storage Temperature	T_{stg}	-20~+80	°C		
Lead soldering temperature (10 sec.)	T_{is}	260	°C		
Features: <ul style="list-style-type: none"> 1280nm 1.5W Power TO3 Package FAC Lens Optional (Square or Line Beam) 					
Applications: <ul style="list-style-type: none"> Medical Laser Treatment Others 					
Specifications		WSLD-1280-1500m-3			
		Min	Type	Max	
Center Wavelength@25°C		1260nm	1280nm	1300nm	
Spectral Width (FWHM)		----	6.0nm	10.0nm	
Output Power		----	1.5W	----	
Emitter Area		----	85x1μm	----	
Beam Divergence (With FAC Lens)		----	10° _⊥ x 35° _{//}	----	
Temperature Coefficient of Wavelength		----	0.7nm / °C	----	
Slope Efficiency		0.5W/A	----	----	
Threshold Current (Typ.)		----	0.3A	0.6A	
Operating Current (Typ.)		----	3.3A	3.6A	
Operating Voltage		----	1.3V	1.5V	
Package Style		TO3			
Recommended Operating Temperature		25°C			

Wavespectrum Laser Group

www.wavespectrum-laser.com.cn
sales@wavespectrum-laser.com.cn


T03 Package



**Electrically shorten LD module and store in non-extreme conditions.
Suggest using the constant current power supply.**



Wavespectrum Laser Group
www.wavespectrum-laser.com.cn
sales@wavespectrum-laser.com.cn

