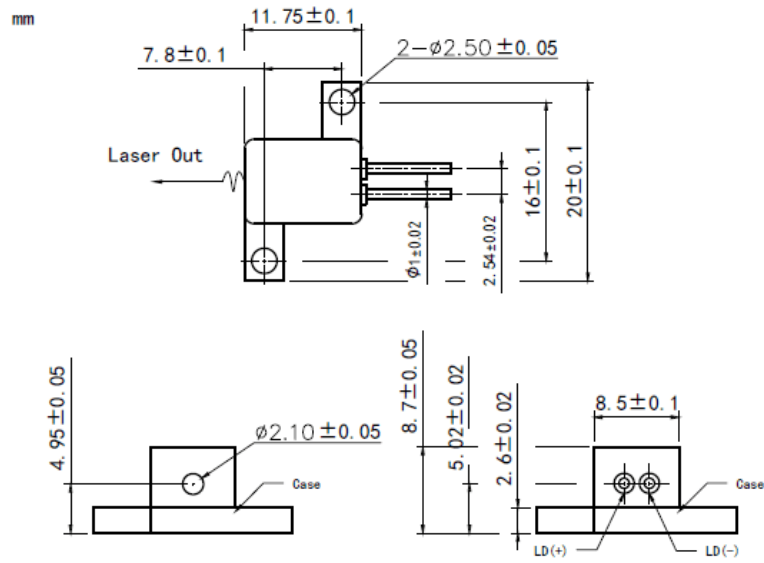


1060nm~1064nm 10W H-mount Laser Diode | Window Package | FAC Optional | Square Beam Optional  
 1064nm Laser Diode| High Power LD| 10W Power| H-mount Package | Hermetic Package  
 WSLD-1064-010-H Wavespectrum Laser Group www.wavespectrum-laser.com

1064nm Laser Diode		10W/H-mount		Wavespectrum Laser Group	
PARAMETER	SYMBOL	VALUE		UNIT	
Reverse Voltage	$V_r$	2.0		V	
Operating Temperature	$T_{op}$	+10~+30		°C	
Storage Temperature	$T_{stg}$	-20~ +80		°C	
Lead soldering temperature (10 sec.)	$T_{is}$	260		°C	
<b>Features:</b> <ul style="list-style-type: none"> <li>1064nm</li> <li>Multimode</li> <li>H-mount Package (Window Package)</li> <li>FAC Lens Optional</li> </ul>					
<b>Applications:</b> <ul style="list-style-type: none"> <li>Medical Laser Treatment</li> <li>Laser Pumping</li> <li>Others</li> </ul>					
<b>Specifications</b>		<b>WSLD-1064-010-H</b>			
		<b>Min</b>	<b>Type</b>	<b>Max</b>	
Center Wavelength@25°C		±10nm	1064nm	±20nm	
Spectral Width (FWHM)			5.0nm		
Output Power		----	10W	----	
Emitter Area		----	200x1μm	----	
Beam Divergence (FWHM)		----	30°± x 10°//	----	
Slope Efficiency		----	0.75W/A	----	
Threshold Current (Typ.)		----	0.9A	----	
Operating Current (Typ.)		----	14A	----	
Operating Voltage		----	1.8V	----	
Package Style		H-mount			
Recommended Operating Temperature		25°C			



## H-mount Package View



**Electrically shorten LD module and store in non-extreme conditions.  
Suggest using the constant current power supply.**

