

1060nm~1064nm 8W H-mount Laser Diode | Window Package | FAC Optional | Square Beam Optional

1064nm Laser Diode | High Power LD | 8W Power | H-mount Package | Hermetic Package

WSLD-1064-008-H

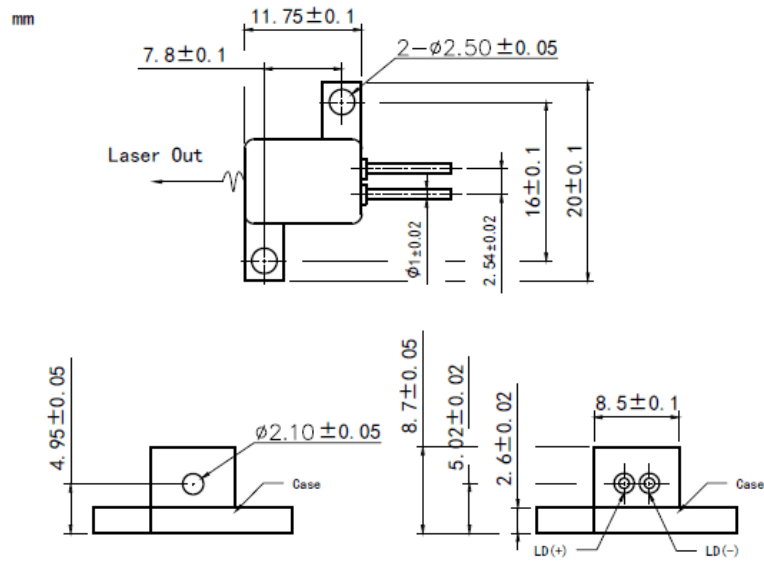
Wavespectrum Laser Group

www.wavespectrum-laser.com

1064nm Laser Diode		8W/H-mount		Wavespectrum Laser Group	
PARAMETER	SYMBOL	VALUE		UNIT	
Reverse Voltage	V_r	2.0		V	
Operating Temperature	T_{op}	+10~+30		°C	
Storage Temperature	T_{stg}	-20~ +80		°C	
Lead soldering temperature (10 sec.)	T_{is}	260		°C	
Features: <ul style="list-style-type: none"> 1064nm Multimode H-mount Package (Window Package) FAC Lens Optional 					
Applications: <ul style="list-style-type: none"> Medical Laser Treatment Laser Pumping Others 					
Specifications		WSLD-1064-008-H			
		Min	Type	Max	
Center Wavelength@25°C		±10nm	1064nm	±20nm	
Spectral Width (FWHM)			5.0nm		
Output Power		----	8W	----	
Emitter Area		----	200x1µm	----	
Beam Divergence (FWHM)		----	30°± x 10°//	----	
Slope Efficiency		----	0.7W/A	----	
Threshold Current (Typ.)		----	0.8A	1.5A	
Operating Current (Typ.)		----	12A	13A	
Operating Voltage		----	1.7V	2.0V	
Package Style		H-mount			
Recommended Operating Temperature		25°C			



H-mount Package View



**Electrically shorten LD module and store in non-extreme conditions.
Suggest using the constant current power supply.**

