

980nm 15W Laser Diode with H-mount Package | Window Package LD | FAC Optional

976nm~980nm High Power 15W LD | Square Beam Optional | Hermetic Package

WSLD-980-015-H

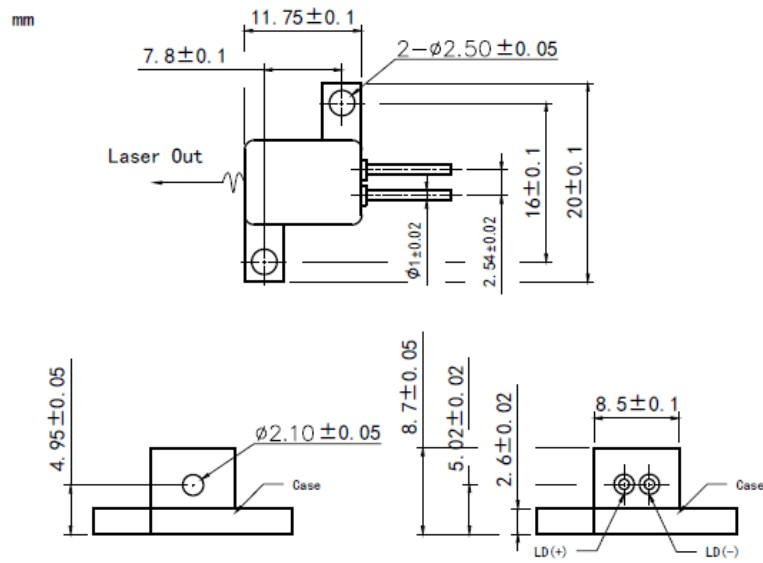
Wavespectrum laser Group

www.wavespectrum-laser.com

| 980nm Laser Diode | 15W/H-mount | Wavespectrum Laser Group | |
|---|--|--------------------------|------------|
| Reverse Voltage | V_r | 2.0 | V |
| Operating Temperature | T_{op} | +10~+30 | °C |
| Storage Temperature | T_{stg} | -20~+80 | °C |
| Lead soldering temperature (10 sec.) | T_{is} | 260 | °C |
| Features: <ul style="list-style-type: none"> ● 980nm ● CW ● H-mount Package (Window Package) ● FAC Lens Optional |  | | |
| Applications: <ul style="list-style-type: none"> ● Medical Laser Treatment ● Laser Pumping ● Other | | | |
| Specifications | WSLD-980-015-H | | |
| | Min | Type | Max |
| Center Wavelength@25°C | +/-5nm | 976nm | +/-10nm |
| Spectral Width (FWHM) | ---- | 4.0nm | ---- |
| Output Power | ---- | 15W | ---- |
| Emitter Area | 200x1µm | | |
| Beam Divergence (FWHM) | ---- | 35°± x 8°// | ---- |
| Temperature Coefficient of Wavelength | ---- | 0.3nm / °C | ---- |
| Slope Efficiency | ---- | 1.1W/A | ---- |
| Threshold Current (Typ.) | ---- | 1.3A | ---- |
| Operating Current (Typ.) | ---- | 15.0A | ---- |
| Operating Voltage | ---- | 1.9V | ---- |
| Package Style | H-mount | | |
| Recommended Operating Temperature | 25°C | | |



H-mount Package View



**Electrically shorten LD module and store in non-extreme conditions.
Suggest using the constant current power supply.**

