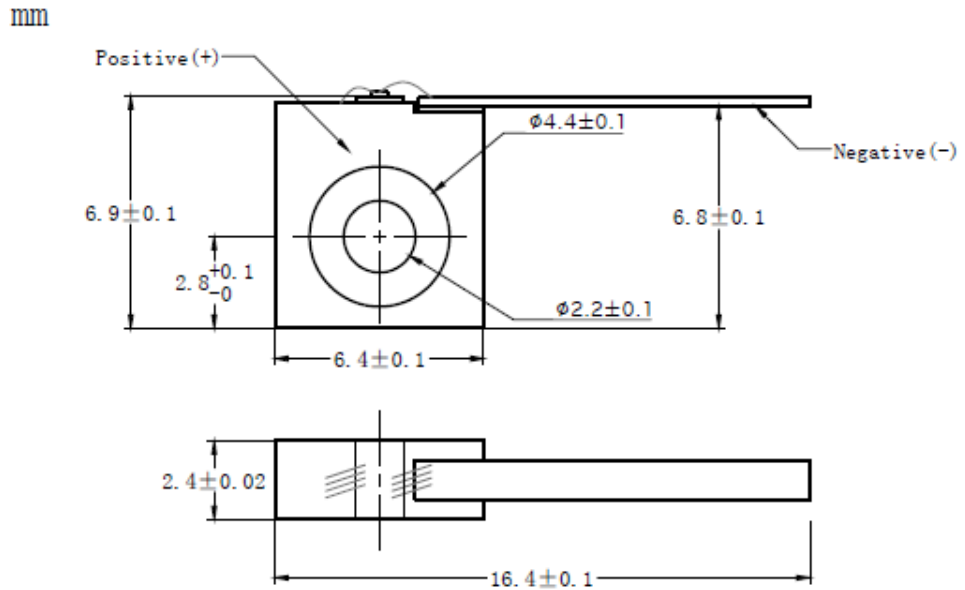


**976nm~980nm 5W Laser Diode with C-mount Package | FAC Optional**
**980nm High Power 5W LD | Square Beam Optional | Medical cure | Laser Pumping**
**WSLD-980-005-C**
**Wavespectrum laser Group**
**www.wavespectrum-laser.com**

| 980nm Laser Diode   |                        | 5W/C-mount   |                | Wavespectrum Laser Group |  |
|---|------------------------|--|----------------|--------------------------|--|
| <b>Reverse Voltage</b>  | <b>V<sub>r</sub></b>   | <b>2.0</b>   | <b>V</b>       |                          |  |
| <b>Operating Temperature</b>  | <b>T<sub>op</sub></b>  | <b>+10 ~+30</b>  | <b>°C</b>      |                          |  |
| <b>Storage Temperature</b>  | <b>T<sub>stg</sub></b> | <b>-20~ +80</b>  | <b>°C</b>      |                          |  |
| <b>Lead soldering temperature (10 sec.)</b>   | <b>T<sub>is</sub></b>  | <b>260</b>   | <b>°C</b>      |                          |  |
| <b>Features:</b> <ul style="list-style-type: none"> <li>● 980nm</li> <li>● CW</li> <li>● C-mount Package</li> </ul>                                   |                        |  |                |                          |  |
| <b>Applications:</b> <ul style="list-style-type: none"> <li>● Medical Laser Treatment</li> <li>● Laser Indicator</li> <li>● Laser Detector</li> </ul> |                        |  |                |                          |  |
| <b>Specifications</b>   |                        | <b>WSLD-980-005-C</b>  |                |                          |  |
|   | <b>Min</b>             | <b>Type</b>  | <b>Max</b>     |                          |  |
| <b>Center Wavelength@25°C</b>   | <b>+/-5nm</b>          | <b>976nm</b>   | <b>+/-10nm</b> |                          |  |
| <b>Spectral Width (FWHM)</b>  | <b>----</b>            | <b>3.0nm</b>   | <b>----</b>    |                          |  |
| <b>Output Power</b>   | <b>----</b>            | <b>5W</b>  | <b>----</b>    |                          |  |
| <b>Emitter Area</b>   | <b>100x1μm</b>         |  |                |                          |  |
| <b>Beam Divergence (FWHM)</b>   | <b>----</b>            | <b>35°<sub>⊥</sub> x 8°<sub>//</sub></b>   | <b>----</b>    |                          |  |
| <b>Temperature Coefficient of Wavelength</b>  | <b>----</b>            | <b>0.3nm / °C</b>  | <b>----</b>    |                          |  |
| <b>Slope Efficiency</b>   | <b>----</b>            | <b>1.0W/A</b>  | <b>----</b>    |                          |  |
| <b>Threshold Current (Typ.)</b>   | <b>----</b>            | <b>0.3A</b>  | <b>0.7A</b>    |                          |  |
| <b>Operating Current (Typ.)</b>   | <b>----</b>            | <b>5.2A</b>  | <b>5.5A</b>    |                          |  |
| <b>Operating Voltage</b>  | <b>----</b>            | <b>1.6V</b>  | <b>2.2V</b>    |                          |  |
| <b>Package Style</b>  | <b>C-mount</b>         |  |                |                          |  |
| <b>Recommended Operating Temperature</b>  | <b>25°C</b>            |  |                |                          |  |
|   |                        |  |                |                          |  |



### C-mount Package View



**Electrically shorten LD module and store in non-extreme conditions.**

**Suggest using the constant current power supply.**

