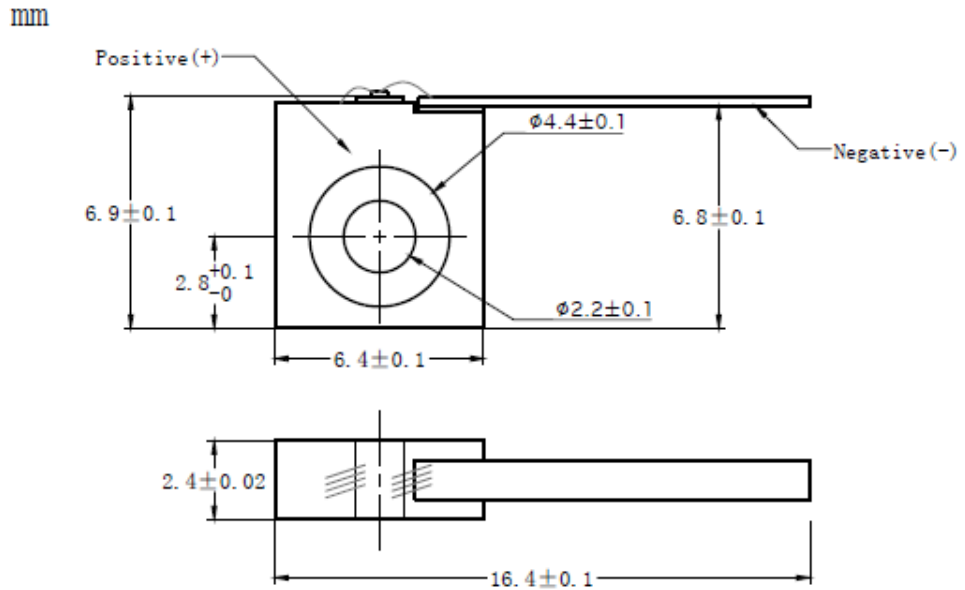


976nm~980nm 3W Laser Diode with C-mount Package | FAC Optional
980nm High Power 3W LD | Square Beam Optional | Medical Cure | Laser Pumping
WSLD-980-003-C
Wavespectrum laser Group
www.wavespectrum-laser.com

980nm Laser Diode		3W/C-mount		Wavespectrum Laser Group	
Reverse Voltage	V_r	2.0		V	
Operating Temperature	T_{op}	+10 ~+30		°C	
Storage Temperature	T_{stg}	-20 ~ +80		°C	
Lead soldering temperature (10 sec.)	T_{is}	260		°C	
Features: <ul style="list-style-type: none"> ● 980nm ● CW ● C-mount Package 					
Applications: <ul style="list-style-type: none"> ● Medical Laser Treatment ● Laser Indicator ● Laser Detector 					
Specifications		WSLD-980-003-C			
		Min	Type	Max	
Center Wavelength@25°C		+/-5nm	976nm	+/-10nm	
Spectral Width (FWHM)		----	3.0nm	----	
Output Power		----	3W	----	
Emitter Area		100x1μm			
Beam Divergence (FWHM)		----	35°_⊥ x 8°_{//}	----	
Temperature Coefficient of Wavelength		----	0.3nm / °C	----	
Slope Efficiency		----	1.1mW/mA	----	
Threshold Current (Typ.)		----	0.2A	0.5A	
Operating Current (Typ.)		----	3.2A	3.5A	
Operating Voltage		----	1.6V	2.1V	
Package Style		C-mount			
Recommended Operating Temperature		25°C			



C-mount Package View



Electrically shorten LD module and store in non-extreme conditions.

Suggest using the constant current power supply.

