

976nm~980nm 1W Laser Diodes | TO5 9mm Package| Built-in PD

980nm 1000mW High Power LD with Photodiode | Square Beam Optional

WSLD-980-001-2-PD

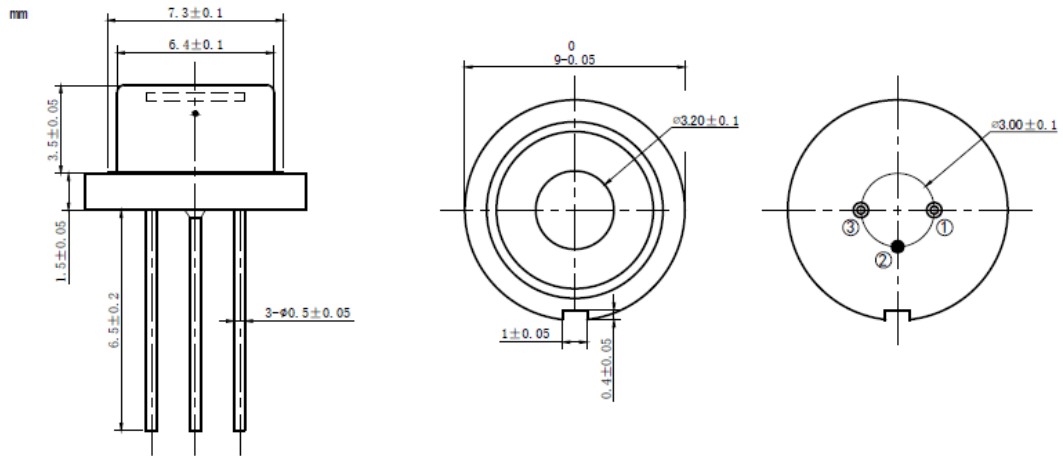
Wavespectrum laser Group.

www.wavespectrum-laser.com

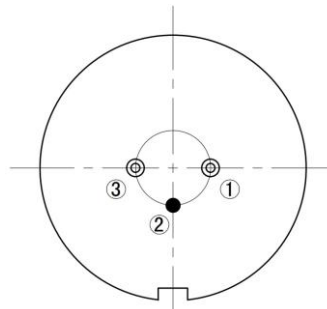
980nm Laser Diode	1W/TO5	Wavespectrum Laser Group	
Reverse Voltage	V_r	2.0	V
Operating Temperature	T_{op}	0~+40	°C
Storage Temperature	T_{stg}	-40~+85	°C
Lead soldering temperature (10 sec.)	T_{is}	260	°C
Features: <ul style="list-style-type: none"> 980nm 1W Output Power TO5 Package Built-in PD 			
Applications: <ul style="list-style-type: none"> Medical Laser Treatment Laser Indicator Others 			
Specifications	WSLD-980-001-2-PD		
	Min	Type	Max
Center Wavelength@25°C	±5nm	980nm	±10nm
Spectral Width (FWHM)	----	2.5nm	----
Output Power	----	1W	----
Recommended Operating Temperature	25°C		
Beam Divergence (FWHM)	----	38°± x 10°//	40°± x 12°//
Temperature Coefficient of Wavelength	----	0.3nm / °C	----
Slope Efficiency	----	1.0W/A	----
Threshold Current (Typ.)	----	0.3A	
Operating Current (Typ.)	----	1.4A	
Operating Voltage	----	2.0V	
Package Style	TO5 (9mm)		
FAC Lens	Optional		



T05 Package View



PIN Bottom View:



1	LD(-)
2	LD(+) & PD(-)
3	PD(+)

Electrically shorten LD module and store in non-extreme conditions.
Suggest using the constant current power supply.



Wavespectrum Laser Group
www.wavespectrum-laser.com
sales@wavespectrum-laser.com





WAVE
s p e c t r u m

Wavespectrum Laser Group
www.wavespectrum-laser.com
sales@wavespectrum-laser.com

