




**980nm 200mW Multi-mode Laser Diodes with Photodiode**

**976nm~980nm 200mW LD with TO18 5.6mm**

WSLD-980-200m-1-PD

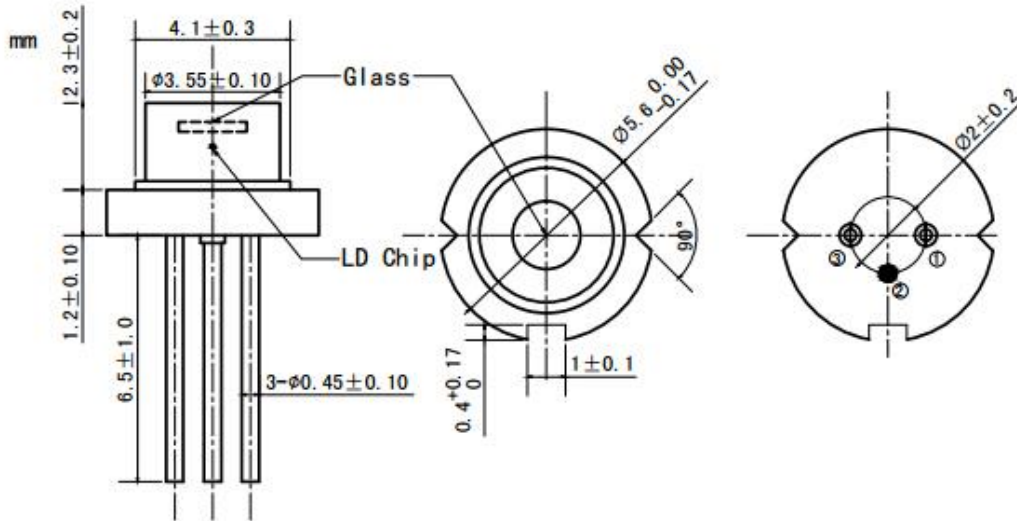
Wavespectrum laser Group

www.wavespectrum-laser.com

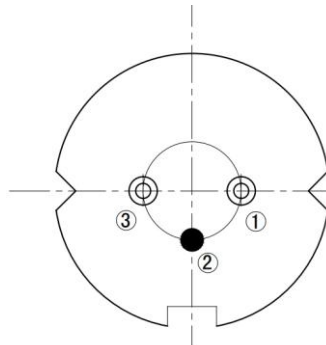
980nm Laser Diode		200mW/TO18		Wavespectrum Laser Group	
Reverse Voltage	$V_r$	2.0		V	
Operating Temperature	$T_{op}$	-10~+40		°C	
Storage Temperature	$T_{stg}$	-40~+85		°C	
Lead soldering temperature (10 sec.)	$T_{is}$	260		°C	
<b>Features:</b> <ul style="list-style-type: none"> <li>980nm</li> <li>Multi-mode Laser Diode</li> <li>TO18 Package</li> <li>Built-in PD</li> </ul>					
<b>Applications:</b> <ul style="list-style-type: none"> <li>Medical Laser Treatment</li> <li>Laser Indicator</li> <li>Laser Detector</li> </ul>					
<b>Specifications</b>		<b>WSLD-980-200m-1-PD</b>			
		<b>Min</b>	<b>Type</b>	<b>Max</b>	
Center Wavelength@25°C		±5nm	976nm	±15nm	
Spectral Width (FWHM)		----	3.0nm	----	
Output Power		----	200mW	----	
Emitter Size		----	35um*1um	----	
Beam Divergence (FWHM)		----	30° <sub>⊥</sub> x 8° <sub>//</sub>	----	
Temperature Coefficient of Wavelength		----	0.3nm / °C	----	
Slope Efficiency		----	0.7mW/mA	----	
Threshold Current (Typ.)		----	60mA	85mA	
Operating Current (Typ.)		----	350mA	380mA	
Operating Voltage		----	1.6V	2.2V	
Package Style		TO18 (5.6mm)			
Recommended Operating Temperature		25°C			



### T018 (5.6mm) Package View



### PIN Bottom View:



1	LD(-)
2	LD(+) & PD(-)
3	PD(+)

Electrically shorten LD module and store in non-extreme conditions.  
Suggest using the constant current power supply.

