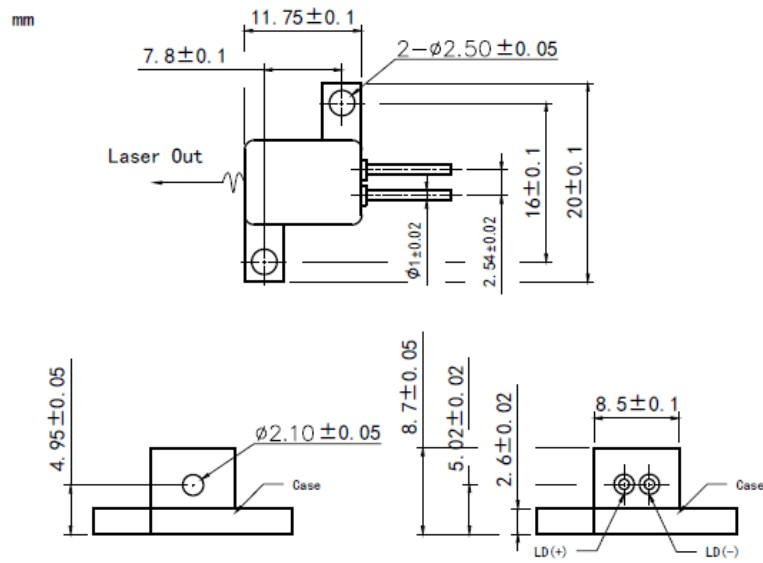


940nm 15W Laser Diode with H-mount Package | Window Package LD | FAC Optional
930nm~940nm~950nm High Power 15W LD | Square Beam Optional | Hermetic Package
 WSLD-940-015-H Wavespectrum laser Group www.wavespectrum-laser.com

940nm Laser Diode		15W/H-mount		Wavespectrum Laser Group	
Reverse Voltage	V_r	2.0		V	
Operating Temperature	T_{op}	+10 ~+30		°C	
Storage Temperature	T_{stg}	-20~ +80		°C	
Lead soldering temperature (10 sec.)	T_{is}	260		°C	
Features: <ul style="list-style-type: none"> ● 940nm ● CW ● H-mount Package (Window Package) ● FAC Lens Optional 					
Applications: <ul style="list-style-type: none"> ● Medical Laser Treatment ● Laser Pumping ● Other 					
Specifications		WSLD-940-015-H			
		Min	Type	Max	
Center Wavelength@25°C		+/-5nm	940nm	+/-10nm	
Spectral Width (FWHM)		----	4.0nm	----	
Output Power		----	15W	----	
Emitter Area		200x1µm			
Beam Divergence (FWHM)		----	35°± x 8°//	----	
Temperature Coefficient of Wavelength		----	0.3nm / °C	----	
Slope Efficiency		----	1.1W/A	----	
Threshold Current (Typ.)		----	1.3A	----	
Operating Current (Typ.)		----	15.0A	----	
Operating Voltage		----	1.9V	----	
Package Style		H-mount			
Recommended Operating Temperature		25°C			



H-mount Package View



Electrically shorten LD module and store in non-extreme conditions.

Suggest using the constant current power supply.

