

## 940nm 3W High Power LD | FAC Optional

3W 940nm Laser Diodes with TO3 Package | Hermetic Package

WSLD-940-003-3

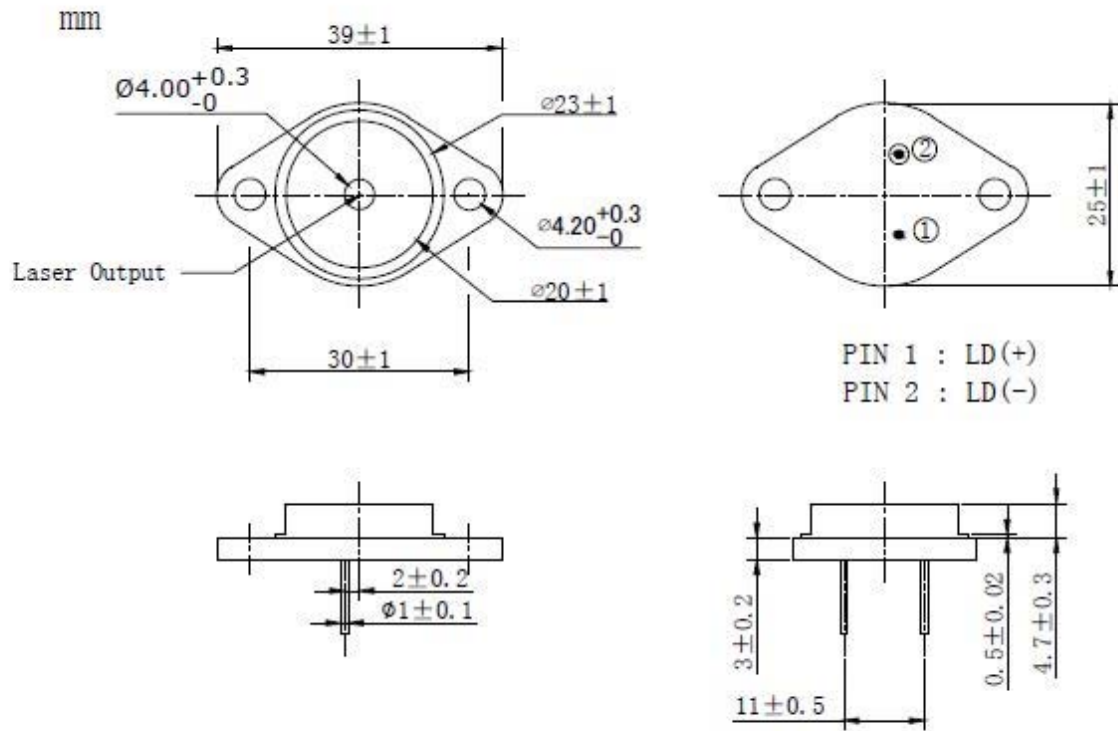
Wavespectrum laser Group.

[www.wavespectrum-laser.com](http://www.wavespectrum-laser.com)

940nm Laser Diode	3W/ TO3	Wavespectrum Laser Group	
Reverse Voltage	$V_r$	2.0	V
Operating Temperature	$T_{op}$	+10~+30	°C
Storage Temperature	$T_{stg}$	-20~+80	°C
Lead soldering temperature (10 sec.)	$T_{is}$	260	°C
<b>Features:</b> <ul style="list-style-type: none"> <li>940nm</li> <li>CW</li> <li>TO3 Package</li> </ul>			
<b>Applications:</b> <ul style="list-style-type: none"> <li>Medical Laser Treatment</li> <li>Laser Indicator</li> <li>Laser Detector</li> </ul>			
<b>Specifications</b>	<b>WSLD-940-003-3</b>		
	<b>Min</b>	<b>Type</b>	<b>Max</b>
Center Wavelength@25°C	+/-5nm	940nm	+/-10nm
Spectral Width (FWHM)	----	3.0nm	----
Output Power	----	3W	----
Emitter Area	100x1µm or 150x1µm		
Beam Divergence (FWHM)	----	35°± x 8°//	----
Temperature Coefficient of Wavelength	----	0.3nm / °C	----
Slope Efficiency	----	1.1mW/mA	----
Threshold Current (Typ.)	----	0.3A	0.6A
Operating Current (Typ.)	----	3.1A	3.4A
Operating Voltage	----	1.75V	2.0V
Package Style	TO3		
Recommended Operating Temperature	25°C		



### T03 Package View



Electrically shorten LD module and store in non-extreme conditions.  
 Suggest using the constant current power supply.

