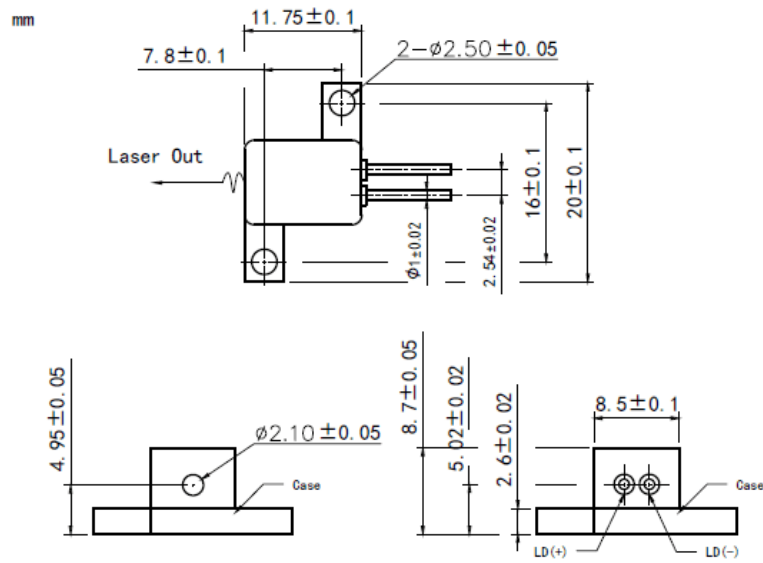


**915nm 15W Laser Diode with H-mount Package | Window Package LD | FAC Optional**  
**905nm~915nm High Power 15W LD | Square Beam Optional | Hermetic Package**  
 WSLD-915-015-H                      Wavespectrum laser Group                      www.wavespectrum-laser.com

915nm Laser Diode	15W/H-mount	Wavespectrum Laser Group	
<b>Reverse Voltage</b>	<b>V<sub>r</sub></b>	<b>2.0</b>	<b>V</b>
<b>Operating Temperature</b>	<b>T<sub>op</sub></b>	<b>+10 ~+30</b>	<b>°C</b>
<b>Storage Temperature</b>	<b>T<sub>stg</sub></b>	<b>-20~ +80</b>	<b>°C</b>
<b>Lead soldering temperature (10 sec.)</b>	<b>T<sub>is</sub></b>	<b>260</b>	<b>°C</b>
<b>Features:</b> <ul style="list-style-type: none"> <li>🔸 915nm</li> <li>🔸 CW</li> <li>🔸 H-mount Package (Window Package)</li> <li>🔸 FAC Lens Optional</li> </ul>			
<b>Applications:</b> <ul style="list-style-type: none"> <li>🔸 Medical Laser Treatment</li> <li>🔸 Laser Pumping</li> <li>🔸 Other</li> </ul>			
<b>Specifications</b>	<b>WSLD-915-015-H</b>		
	<b>Min</b>	<b>Type</b>	<b>Max</b>
<b>Center Wavelength@25°C</b>	<b>+/-5nm</b>	<b>915nm</b>	<b>+/-10nm</b>
<b>Spectral Width (FWHM)</b>	----	<b>4.0nm</b>	----
<b>Output Power</b>	----	<b>15W</b>	----
<b>Emitter Area</b>	<b>200x1µm</b>		
<b>Beam Divergence (FWHM)</b>	----	<b>35°± x 8°//</b>	----
<b>Temperature Coefficient of Wavelength</b>	----	<b>0.3nm / °C</b>	----
<b>Slope Efficiency</b>	----	<b>1.1W/A</b>	----
<b>Threshold Current (Typ.)</b>	----	<b>1.3A</b>	----
<b>Operating Current (Typ.)</b>	----	<b>15.0A</b>	----
<b>Operating Voltage</b>	----	<b>1.9V</b>	----
<b>Package Style</b>	<b>H-mount</b>		
<b>Recommended Operating Temperature</b>	<b>25°C</b>		



## H-mount Package View



**Electrically shorten LD module and store in non-extreme conditions.**

**Suggest using the constant current power supply.**

