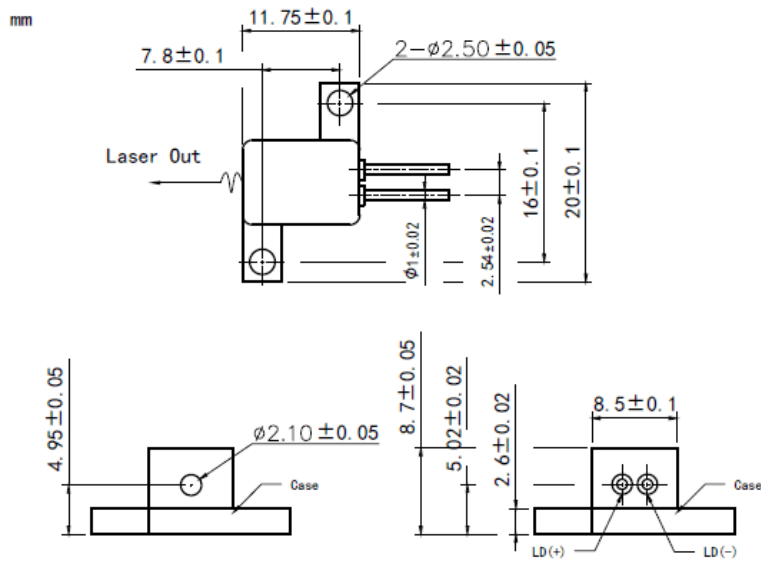


915nm 12W Laser Diode with H-mount Package | Window Package LD | FAC Optional
 905nm~915nm High Power 12W LD | Square Beam Optional | Hermetic Package
 WSLD-915-012-H Wavespectrum laser Group www.wavespectrum-laser.com

915nm Laser Diode	12W/H-mount	Wavespectrum Laser Group	
Reverse Voltage	V_r	2.0	V
Operating Temperature	T_{op}	+10 ~+30	°C
Storage Temperature	T_{stg}	-20~ +80	°C
Lead soldering temperature (10 sec.)	T_{is}	260	°C
Features: <ul style="list-style-type: none"> ● 915nm ● CW ● H-mount Package (Window Package) ● FAC Lens Optional 			
Applications: <ul style="list-style-type: none"> ● Medical Laser Treatment ● Laser Pumping ● Other 			
Specifications	WSLD-915-012-H		
	Min	Type	Max
Center Wavelength@25°C	+/-5nm	915nm	+/-10nm
Spectral Width (FWHM)	----	4.0nm	----
Output Power	----	12W	----
Emitter Area	200x1µm		
Beam Divergence (FWHM)	----	35°± x 8°//	----
Temperature Coefficient of Wavelength	----	0.3nm / °C	----
Slope Efficiency	----	1.0W/A	----
Threshold Current (Typ.)	----	1.2A	----
Operating Current (Typ.)	----	13.0A	----
Operating Voltage	----	1.8V	----
Package Style	H-mount		
Recommended Operating Temperature	25°C		



H-mount Package View



Electrically shorten LD module and store in non-extreme conditions.

Suggest using the constant current power supply.

