

880nm 8W High Power LD with H-mount Package | Square Beam Optional | Window Package

870nm~880nm Laser Diode | 8W Output Power| Hermetic Package | FAC Optional

WSLD-880-008-H

Wavespectrum Laser Group.

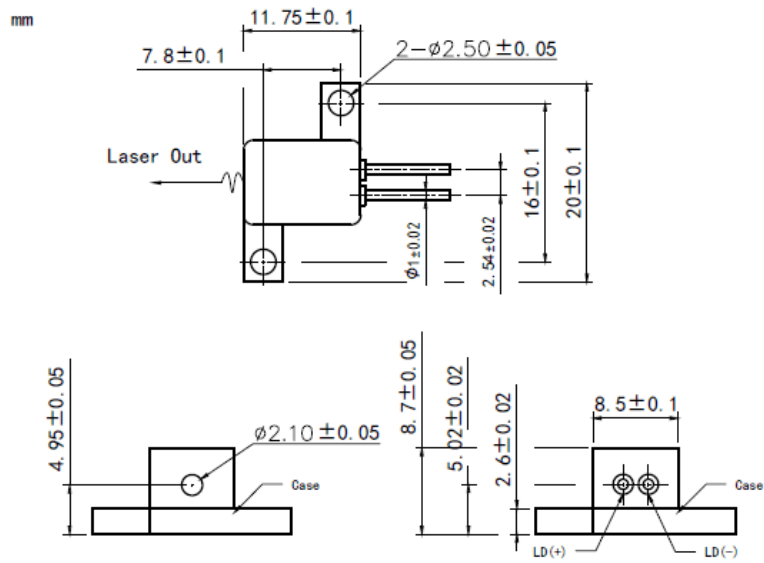
www.wavespectrum-laser.com

en.wavespectrum-laser.com.cn

880nm Laser Diode		8W/H-mount	
PARAMETER	SYMBOL	VALUE	UNIT
Reverse Voltage	$V_r$	2.0	V
Operating Temperature	$T_{op}$	+10~+30	°C
Storage Temperature	$T_{stg}$	-20~+80	°C
Lead soldering temperature (10 sec.)	$T_{is}$	260	°C
<b>Features:</b> <ul style="list-style-type: none"> <li>880nm</li> <li>H-mount Package (Window Package)</li> <li>Square Beam Optional</li> </ul>			
<b>Applications:</b> <ul style="list-style-type: none"> <li>Medical Laser Treatment</li> <li>Laser Indicator</li> <li>Laser Detector</li> </ul>			
Specifications		WSLD-880-008-H	
		Min	Type
Center Wavelength@25°C		±3nm	880nm
Spectral Width (FWHM)			3.0nm
Output Power		----	8W
Emitter Area		----	200um or 400um
Beam Divergence (FWHM)		----	35° <sub>⊥</sub> x 8° <sub>//</sub>
Temperature Coefficient of Wavelength		----	0.3nm / °C
Slope Efficiency		----	1.1W/A
Threshold Current (Typ.)		----	1.5A
Operating Current (Typ.)		----	9.0A
Operating Voltage		----	1.8V
Package Style		H-mount	
Recommended Operating Temperature		25°C	



## H-mount Package View



Electrically shorten LD module and store in non-extreme conditions.

Suggest using the constant current power supply.

