

880nm 3W High Power LD with H-mount Package | Square Beam Optional | Window Package

870nm~880nm Laser Diode | 3W Output Power| Hermetic Package | FAC Optional

WSLD-880-003-H

Wavespectrum Laser Group.

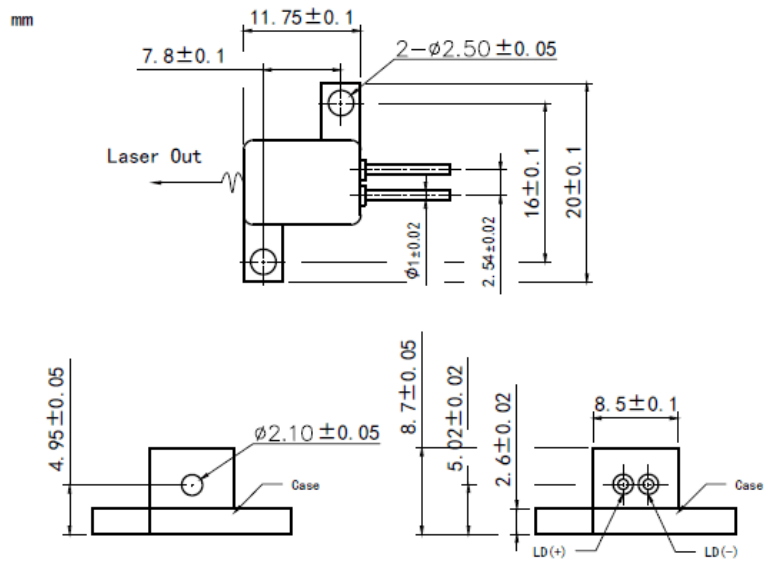
www.wavespectrum-laser.com

en.wavespectrum-laser.com.cn

880nm Laser Diode		3W/H-mount	
PARAMETER	SYMBOL	VALUE	UNIT
Reverse Voltage	V_r	2.0	V
Operating Temperature	T_{op}	+10~+30	°C
Storage Temperature	T_{stg}	-20~ +80	°C
Lead soldering temperature (10 sec.)	T_{is}	260	°C
Features: <ul style="list-style-type: none"> ● 880nm ● H-mount Package (Window Package) ● Square Beam Optional 			
Applications: <ul style="list-style-type: none"> ● Medical Laser Treatment ● Laser Indicator ● Laser Detector 			
Specifications		WSLD-880-003-H	
		Min	Type
Center Wavelength@25°C		±3nm	880nm
Spectral Width (FWHM)			2.0nm
Output Power		----	3W
Emitter Area		----	150x1µm
Beam Divergence (FWHM)		----	35° _⊥ x 8° _{//}
Temperature Coefficient of Wavelength		----	0.3nm / °C
Slope Efficiency		----	1.1W/A
Threshold Current (Typ.)		----	0.5A
Operating Current (Typ.)		----	3.3A
Operating Voltage		----	1.8V
Package Style		H-mount	
Recommended Operating Temperature		25°C	



H-mount Package View



**Electrically shorten LD module and store in non-extreme conditions.
Suggest using the constant current power supply.**

