

880nm 3W High Power LD with TO Can Package |Square Beam Optional

870nm~880nm Laser Diode | 3W Output Power| TO3 Package | Hermetic Package


WSLD-880-003-3

Wavespectrum Laser Group.

www.wavespectrum-laser.com

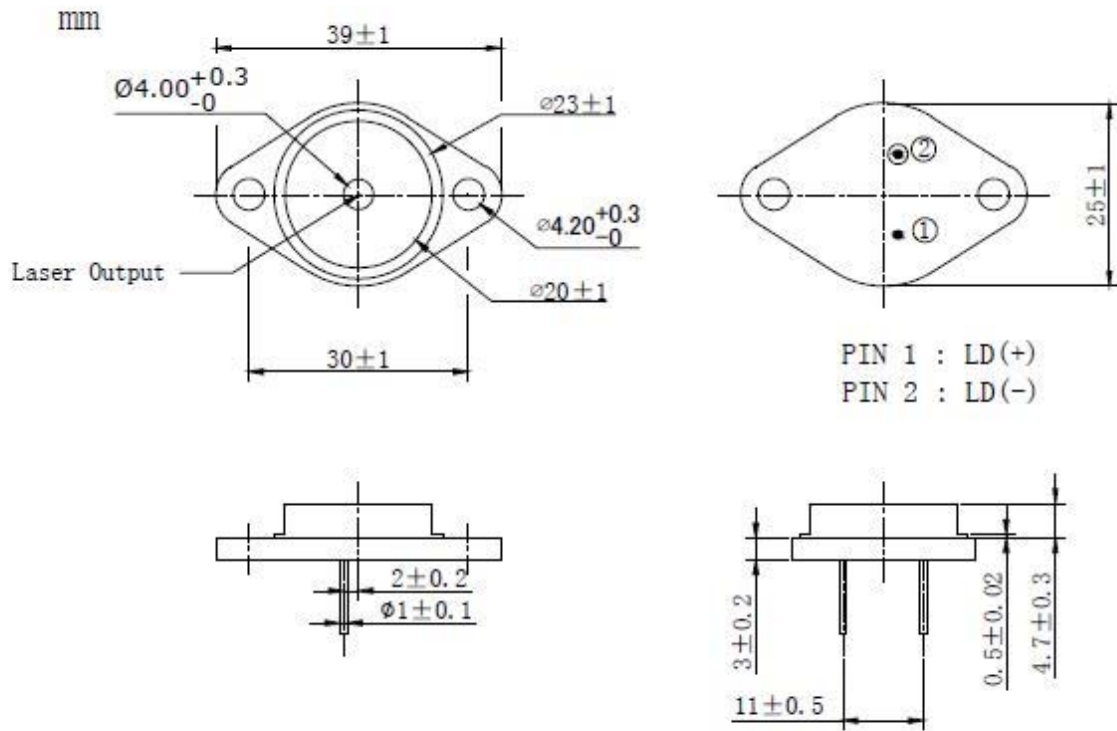
en.wavespectrum-laser.com.cn

880nm Laser Diode 3W/TO3

PARAMETER	SYMBOL	VALUE	UNIT
Reverse Voltage	V_r	2.0	V
Operating Temperature	T_{op}	+10~+30	°C
Storage Temperature	T_{stg}	-20~ +80	°C
Lead soldering temperature (10 sec.)	T_{is}	260	°C
Features: <ul style="list-style-type: none"> 880nm TO3 Package FAC Lens Optional 			
Applications: <ul style="list-style-type: none"> Medical Laser Treatment Laser Indicator Laser Detector 			
Specifications		WSLD-880-003-3	
		Min	Type
Center Wavelength@25°C		±3nm	880nm
Spectral Width (FWHM)			2.0nm
Output Power		----	3W
Emitter Area		----	150x1µm
Beam Divergence (FWHM)		----	35° _⊥ x 8° _{//}
Temperature Coefficient of Wavelength		----	0.3nm / °C
Slope Efficiency		----	1.1W/A
Threshold Current (Typ.)		----	0.5A
Operating Current (Typ.)		----	3.3A
Operating Voltage		----	1.8V
Package Style		TO3	
Recommended Operating Temperature		25°C	



T03 Package View



Electrically shorten LD module and store in non-extreme conditions.
 Suggest using the constant current power supply.

