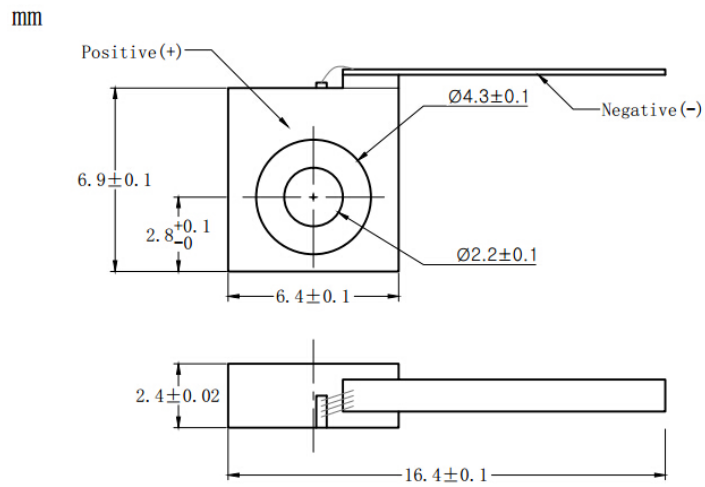


860nm~870nm 3W C-mount Laser Diode | FAC Optional | Square Beam Optional
860nm Laser Diode| High Power LD| 3W Power| C-mount Package
WSLD-860-003-C
Wavespectrum Laser Group
www.wavespectrum-laser.com

860nm Laser Diode 3W/C-mount		Wavespectrum Laser Group	
PARAMETER	SYMBOL	VALUE	UNIT
Reverse Voltage	V_r	2.0	V
Operating Temperature	T_{op}	+10~+30	°C
Storage Temperature	T_{stg}	-20~ +80	°C
Lead soldering temperature (10 sec.)	T_{is}	260	°C
Features: <ul style="list-style-type: none"> ● 860nm ● Multimode ● C-mount Package ● FAC Lens Optional 			
Applications: <ul style="list-style-type: none"> ● Medical Laser Treatment ● Laser Indicator ● Others 			
Specifications		WSLD-860-003-C	
		Min	Type
Center Wavelength@25°C		850nm	860nm
Spectral Width (FWHM)			2.5nm
Output Power		----	3W
Emitter Area		----	150x1μm
Beam Divergence (FWHM)		----	35°_⊥ x 8°_{//}
Temperature Coefficient of Wavelength		----	0.3nm / °C
Slope Efficiency		----	1.2W/A
Threshold Current (Typ.)		----	0.4A
Operating Current (Typ.)		----	3.0A
Operating Voltage		----	2.1V
Package Style		C-mount	
Recommended Operating Temperature		25°C	



C-mount Package View



**Electrically shorten LD module and store in non-extreme conditions.
Suggest using the constant current power supply.**

