

860nm 3W High Power LD with TO Can Package | Square Beam Optional | Hermetic Package

860nm~870nm Laser Diode | 3W Output Power| TO3 Package | FAC Lens Optional

WSLD-860-003-3

Wavespectrum Laser Group.

www.wavespectrum-laser.com

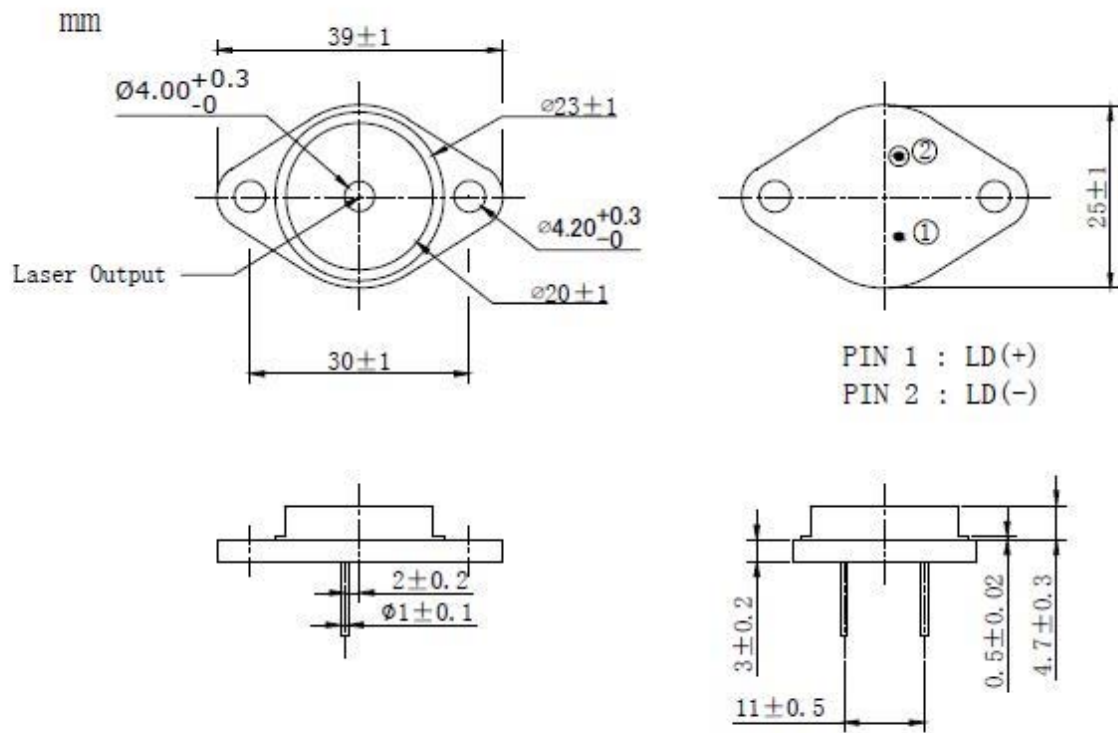
en.wavespectrum-laser.com.cn

860nm Laser Diode 3W/TO3

| PARAMETER | SYMBOL | VALUE | UNIT |
|---|------------|--|------------|
| Reverse Voltage | V_r | 2.0 | V |
| Operating Temperature | T_{op} | +10~+30 | °C |
| Storage Temperature | T_{stg} | -20~ +80 | °C |
| Lead soldering temperature (10 sec.) | T_{is} | 260 | °C |
| Features: <ul style="list-style-type: none"> ● 860nm ● TO3 Package ● Square Beam Optional | |  | |
| Applications: <ul style="list-style-type: none"> ● Medical Laser Treatment ● Laser Indicator ● Laser Detector | | | |
| Specifications | | WSLD-860-003-3 | |
| | Min | Type | Max |
| Center Wavelength@25°C | ±5nm | 860nm | ±10nm |
| Spectral Width (FWHM) | | 2.5nm | |
| Output Power | ---- | 3W | ---- |
| Emitter Area | ---- | 150x1μm | ---- |
| Beam Divergence (FWHM) | ---- | $35^\circ \pm 8^\circ //$ | ---- |
| Temperature Coefficient of Wavelength | ---- | 0.3nm / °C | ---- |
| Slope Efficiency | ---- | 1.2W/A | ---- |
| Threshold Current (Typ.) | ---- | 0.4A | ---- |
| Operating Current (Typ.) | ---- | 3.0A | ---- |
| Operating Voltage | ---- | 2.1V | ---- |
| Package Style | TO3 | | |
| Recommended Operating Temperature | 25°C | | |



T03 Package View



**Electrically shorten LD module and store in non-extreme conditions.
 Suggest using the constant current power supply.**

