



850nm~860nm 3W Laser Diodes | TO5 9mm Package| Square Beam Optional | PD Optional

860nm~870nm 3W High Power LD with FAC Optional | Linear Beam Optional

WSLD-860-003-2

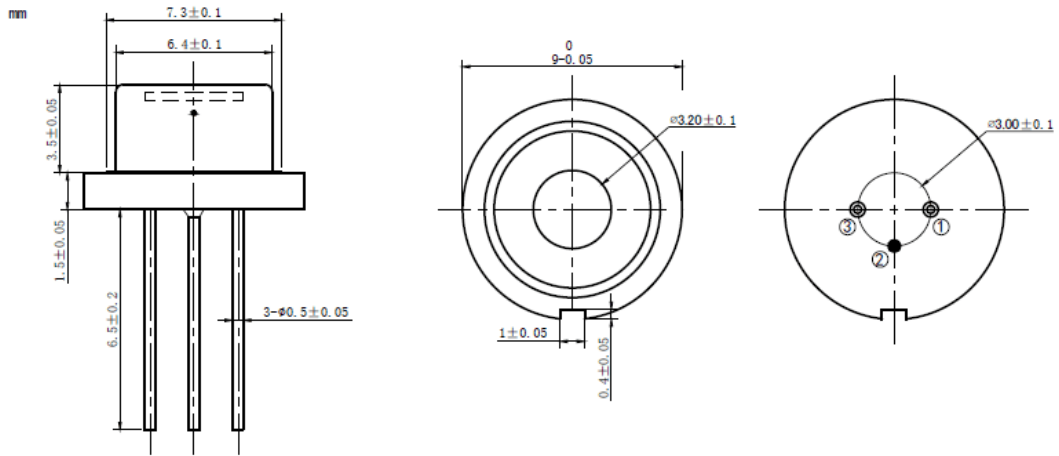
Wavespectrum laser Group.

www.wavespectrum-laser.com

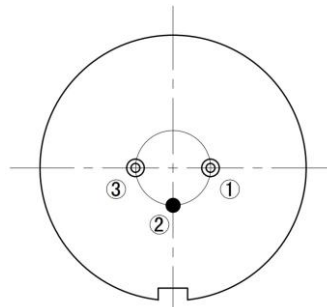
860nm Laser Diode		3W/TO5		Wavespectrum Laser Group	
Reverse Voltage	V_r	2.0		V	
Operating Temperature	T_{op}	0~+40		°C	
Storage Temperature	T_{stg}	-40~+85		°C	
Lead soldering temperature (10 sec.)	T_{is}	260		°C	
Features: <ul style="list-style-type: none"> 860nm 3W Output Power TO5 Package Square Beam Optional Photodiode Optional 					
Applications: <ul style="list-style-type: none"> Medical Laser Treatment Laser Indicator Others 					
Specifications		WSLD-860-003-2			
		Min	Type	Max	
Center Wavelength@25°C		±5nm	860nm	±15nm	
Spectral Width (FWHM)		----	2.5nm	----	
Output Power		----	3W	----	
Recommended Operating Temperature		25°C			
Beam Divergence (FWHM)		----	35° _⊥ x 8° _{//}	----	
Temperature Coefficient of Wavelength		----	0.3nm / °C	----	
Slope Efficiency		----	1.2W/A	----	
Threshold Current (Typ.)		----	0.4A	----	
Operating Current (Typ.)		----	3.0A	----	
Operating Voltage		----	2.1V	----	
Package Style		TO5(9mm)			
FAC Lens		Optional			



T05 Package View



PIN Bottom View:



1	LD(+)
2	GND
3	LD(-)

**Electrically shorten LD module and store in non-extreme conditions.
Suggest using the constant current power supply.**



Wavespectrum Laser Group
www.wavespectrum-laser.com
sales@wavespectrum-laser.com

