



850nm~860nm 1W Laser Diodes | TO5 9mm Package| Built-in PD | Square Beam Optional

860nm 1000mW High Power LD with Photodiode | FAC Lens Optional

WSLD-860-001-2-PD

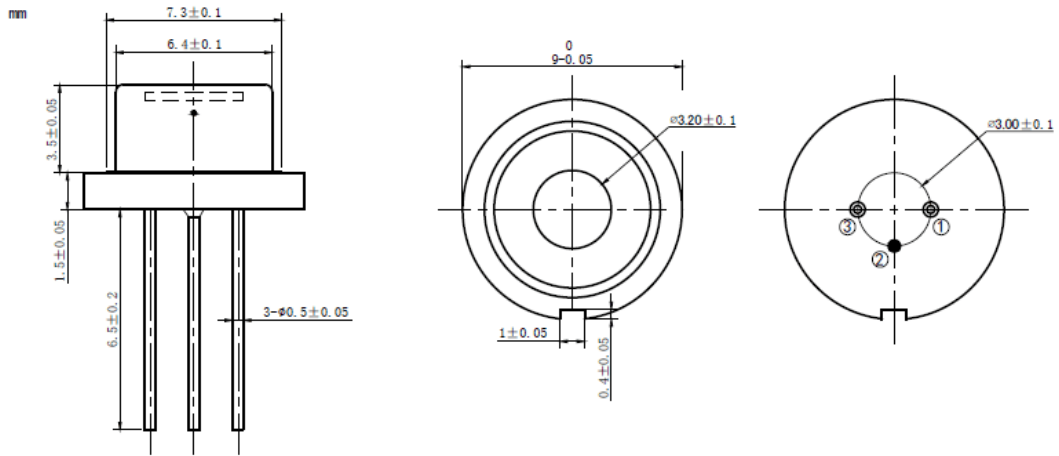
Wavespectrum laser Group.

www.wavespectrum-laser.com

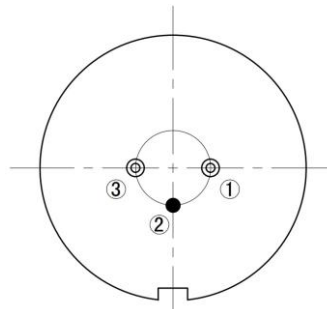
860nm Laser Diode		1W/TO5		Wavespectrum Laser Group	
Reverse Voltage	$V_r$	2.0		V	
Operating Temperature	$T_{op}$	0~+40		°C	
Storage Temperature	$T_{stg}$	-40~+85		°C	
Lead soldering temperature (10 sec.)	$T_{is}$	260		°C	
<b>Features:</b> <ul style="list-style-type: none"> <li>860nm</li> <li>1W Output Power</li> <li>TO5 Package</li> <li>Built-in PD</li> </ul>					
<b>Applications:</b> <ul style="list-style-type: none"> <li>Medical Laser Treatment</li> <li>Laser Indicator</li> <li>Others</li> </ul>					
<b>Specifications</b>		<b>WSLD-860-001-2-PD</b>			
		<b>Min</b>	<b>Type</b>	<b>Max</b>	
Center Wavelength@25°C		±5nm	860nm	±10nm	
Spectral Width (FWHM)		----	2.5nm	----	
Output Power		----	1W	----	
Recommended Operating Temperature		25°C			
Beam Divergence (FWHM)		----	38°± x 10°//	40°± x 12°//	
Temperature Coefficient of Wavelength		----	0.3nm / °C	----	
Slope Efficiency		----	1.0W/A	----	
Threshold Current (Typ.)		----	0.2A		
Operating Current (Typ.)		----	1.3A		
Operating Voltage		----	2.5V		
Package Style		TO5 (9mm)			
FAC Lens		Optional			



### T05 Package View



### PIN Bottom View:



1	<b>LD(-)</b>
2	<b>LD(+) &amp; PD(-)</b>
3	<b>PD(+)</b>

**Electrically shorten LD module and store in non-extreme conditions.  
Suggest using the constant current power supply.**



Wavespectrum Laser Group  
[www.wavespectrum-laser.com](http://www.wavespectrum-laser.com)  
[sales@wavespectrum-laser.com](mailto:sales@wavespectrum-laser.com)

