

850nm 1W High Power Laser Diode LD

850nm 1W Multi-mode Laser Diode | TO18 Package| IR Laser Diode

WSLD-850-001-1

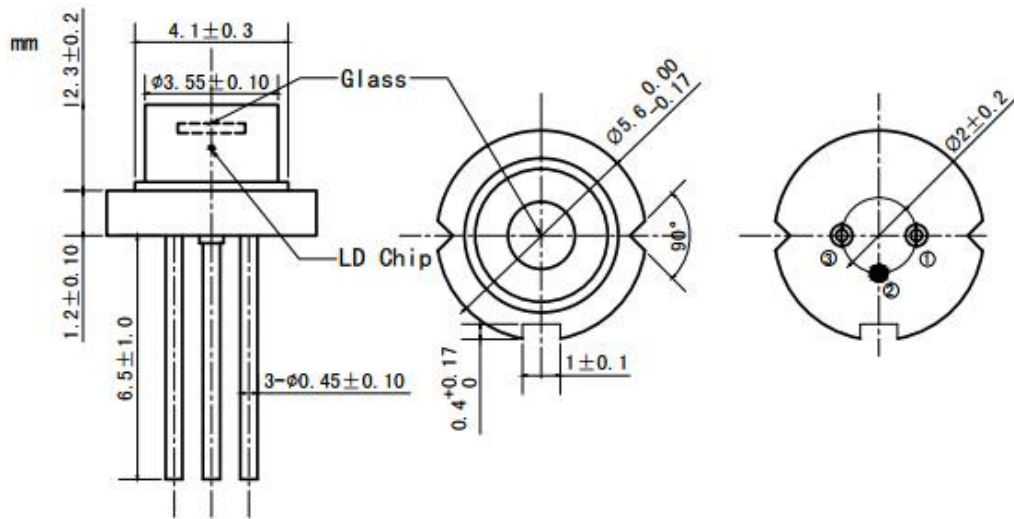
Wavespectrum Laser Group

www.wavespectrum-laser.com

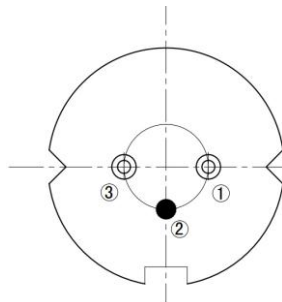
850nm Laser Diode	1W/TO18	Wavespectrum Laser Group	
Reverse Voltage	V_r	2	V
Operating Temperature	T_{op}	-10~+40	°C
Storage Temperature	T_{stg}	-40~+85	°C
Lead soldering temperature (10 sec.)	T_{is}	260	°C
Features: <ul style="list-style-type: none"> 850nm Multi-Mode Laser Diode TO18 Package 			
Applications: <ul style="list-style-type: none"> Medical Laser Treatment Laser Indicator Others 			
Specifications	WSLD-850-001-1		
	Min	Type	Max
Center Wavelength@25°C	840nm	850nm	860nm
Spectral Width (FWHM)	----	2.0nm	----
Output Power	----	1W	----
Emitter Size	----	50um*1um	----
Beam Divergence (FWHM)	----	10° _⊥ x 36° _{//}	----
Monitor Current	----	----	----
Slope Efficiency	----	0.95mW/mA	----
Threshold Current (Typ.)	----	0.3A	----
Operating Current (Typ.)	----	1.4A	----
Operating Voltage	----	2.5V	----
Package Style	TO18 (5.6mm)		
Recommended Operating Temperature	25°C		



TO18 Package View



PIN Bottom View:



1	LD(-)
2	LD(+)
3	LD(-)

Electrically shorten LD module and store in non-extreme conditions.
Suggest using the constant current power supply.

