

850nm 500mW High Power Laser Diode LD

850nm 0.5W IR Laser Diode | TO18 Package| Multi-mode Laser Diode

WSLD-850-500m-1

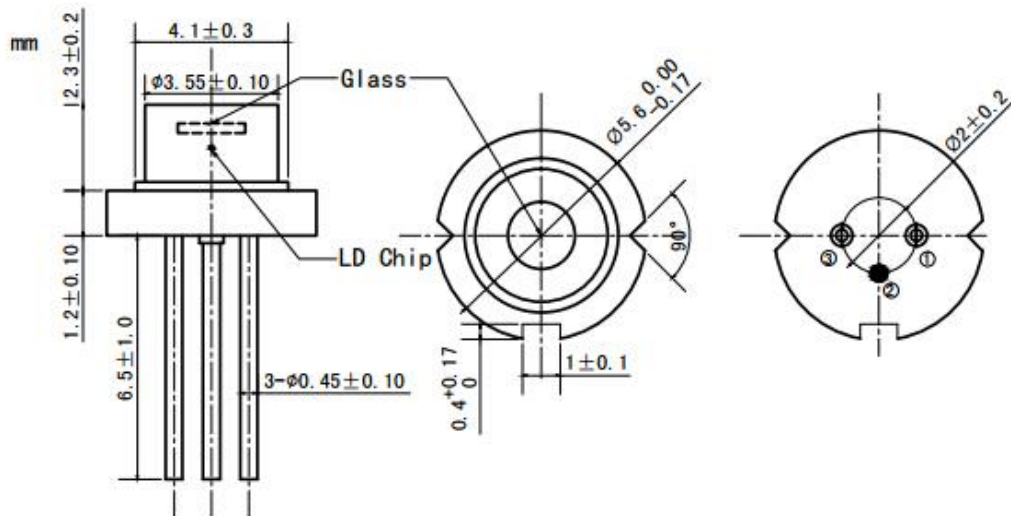
Wavespectrum Laser Group

www.wavespectrum-laser.com

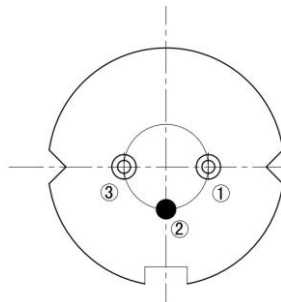
850nm Laser Diode		500mW/TO18		Wavespectrum Laser Group	
Reverse Voltage	V_r	2		V	
Operating Temperature	T_{op}	-10~+50		°C	
Storage Temperature	T_{stg}	-40~+85		°C	
Lead soldering temperature (10 sec.)	T_{is}	260		°C	
Features: <ul style="list-style-type: none"> 850nm Multi-Mode Laser Diode TO18 Package 					
Applications: <ul style="list-style-type: none"> Medical Laser Treatment Laser Indicator Others 					
Specifications		WSLD-850-500m-1			
		Min	Type	Max	
Center Wavelength@25°C		840nm	850nm	860nm	
Spectral Width (FWHM)		----	2.0nm	----	
Output Power		----	500mW	----	
Emitter Size		----	50um*1um	----	
Beam Divergence (FWHM)		----	10° _⊥ x 35° _{//}	----	
Monitor Current		----	----	----	
Slope Efficiency		----	0.7mW/mA	----	
Threshold Current (Typ.)		----	240mA	----	
Operating Current (Typ.)		----	950mA	----	
Operating Voltage		----	2.4V	----	
Package Style		TO18 (5.6mm)			
Recommended Operating Temperature		25°C			



TO18 mm Package View



PIN Bottom View:



1	LD(-)
2	LD(+)
3	LD(-)

**Electrically shorten LD module and store in non-extreme conditions.
Suggest using the constant current power supply.**

