



850nm 300mW Laser Diodes With Photodiode | High Power Infrared LD with PD

850nm~860nm Multi-mode LD | 300mW Output Power TO18 5.6mm Package

WSLD-850-300m-1-PD

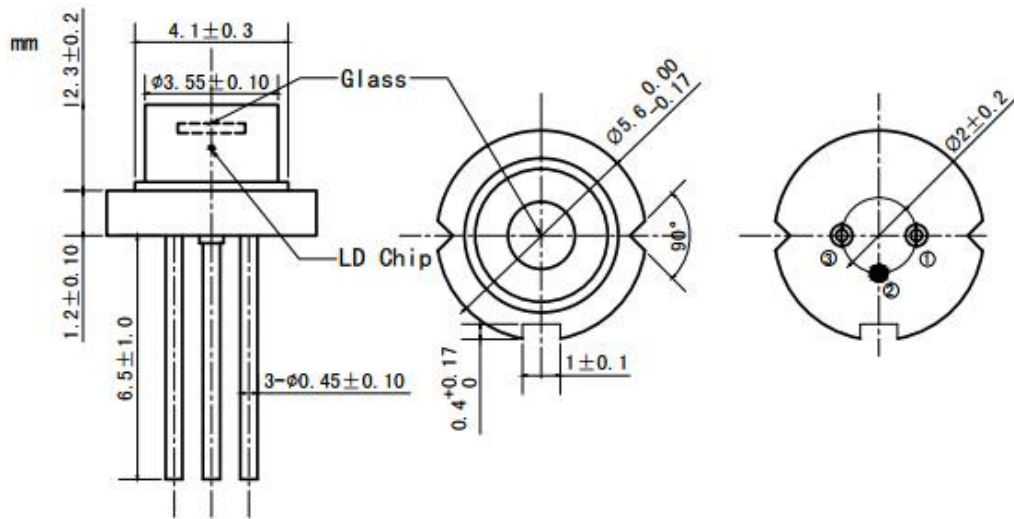
Wavespectrum laser Group

www.wavespectrum-laser.com

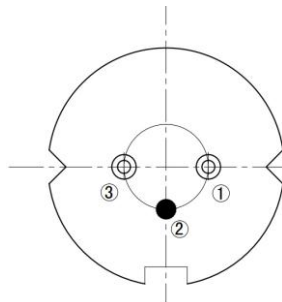
850nm Laser Diode 300mW/PD		Wavespectrum Laser Group	
Reverse Voltage	V_r	2	V
Operating Temperature	T_{op}	-10~+50	°C
Storage Temperature	T_{stg}	-40~+85	°C
Lead soldering temperature (10 sec.)	T_{is}	260	°C
Features: <ul style="list-style-type: none"> 850nm CW Built-in PD TO18 Package 			
Applications: <ul style="list-style-type: none"> Medical Laser Treatment Laser Indicator Laser Detector 			
Specifications		WSLD-850-300m-1-PD	
		Min	Type
Center Wavelength@25°C		840nm	850nm
Spectral Width (FWHM)		----	2.0nm
Output Power		----	300mW
Emitter		----	Single
Beam Divergence (FWHM)		----	18° _⊥ x 12° _{//}
Monitor Current		----	0.2mA
Slope Efficiency		----	0.95mW/mA
Threshold Current (Typ.)		----	120mA
Operating Current (Typ.)		----	440mA
Operating Voltage		----	1.9V
Package Style		TO18 (5.6mm)	
Recommended Operating Temperature		25°C	



TO18 Package View



PIN Bottom View:



1	LD(-)
2	LD(+) & PD(-)
3	PD(+)

Electrically shorten LD module and store in non-extreme conditions.
Suggest using the constant current power supply.

