

**830nm 3W Laser Diodes with H-mount Package | Square Beam Optional | Window Package**
**830nm 3W High Power LD | Hermetic Package | FAC Lens Optional**

WSLD-830-003-H

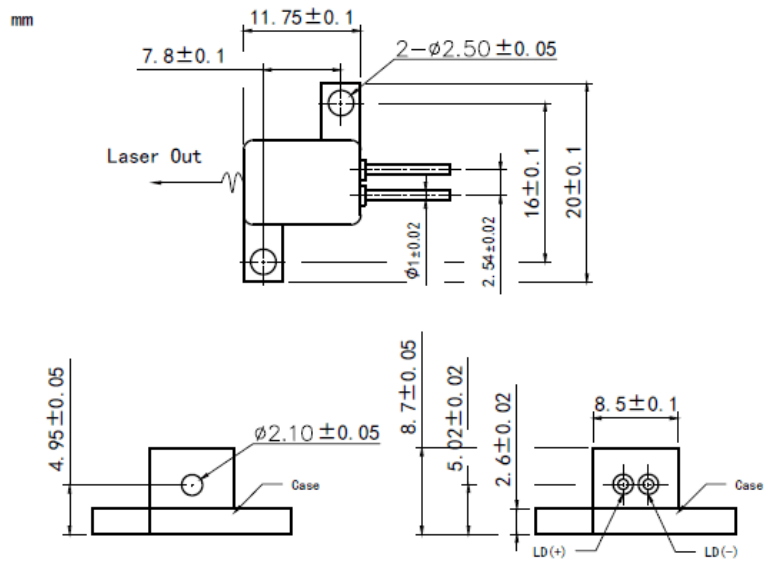
Wavespectrum laser Group.

[www.wavespectrum-laser.com](http://www.wavespectrum-laser.com)

830nm Laser Diode	3W/H-mount	Wavespectrum Laser Group	
<b>Reverse Voltage</b>	<b>V<sub>r</sub></b>	<b>2.0</b>	<b>V</b>
<b>Operating Temperature</b>	<b>T<sub>op</sub></b>	<b>+10~+30</b>	<b>°C</b>
<b>Storage Temperature</b>	<b>T<sub>stg</sub></b>	<b>-20~ +80</b>	<b>°C</b>
<b>Lead soldering temperature (10 sec.)</b>	<b>T<sub>is</sub></b>	<b>260</b>	<b>°C</b>
<b>Features:</b> <ul style="list-style-type: none"> <li>● 830nm</li> <li>● High Power ,CW, Multi-mode</li> <li>● H-mount Package</li> </ul>			
<b>Applications:</b> <ul style="list-style-type: none"> <li>● Medical Laser Treatment</li> <li>● Pumping Laser</li> <li>● Night Vision</li> <li>● Others</li> </ul>			
<b>Specifications</b>	<b>WSLD-830-003-H</b>		
	<b>Min</b>	<b>Type</b>	<b>Max</b>
<b>Center Wavelength@25°C</b>	<b>820nm</b>	<b>830nm</b>	<b>840nm</b>
<b>Spectral Width (FWHM)</b>	----	<b>2.5nm</b>	----
<b>Output Power</b>	----	<b>3W</b>	----
<b>Emitter Area</b>	----	<b>100x1μm</b>	----
<b>Beam Divergence (FWHM)</b>	----	<b>35°<sub>⊥</sub> x 8°<sub>//</sub></b>	----
<b>Temperature Coefficient of Wavelength</b>	----	<b>0.3nm / °C</b>	----
<b>Slope Efficiency</b>	----	<b>1.1W/A</b>	----
<b>Threshold Current (Typ.)</b>	----	<b>330mA</b>	----
<b>Operating Current (Typ.)</b>	----	<b>3.2A</b>	----
<b>Operating Voltage</b>	----	<b>1.9V</b>	----
<b>Package Style</b>	<b>H-mount</b>		
<b>Recommended Operating Temperature</b>	<b>25°C</b>		



## H-mount Package View



**Electrically shorten LD module and store in non-extreme conditions.  
 Suggest using the constant current power supply.**

