




**830nm~840nm 2W Laser Diodes | TO5 9mm Package| Square Beam Optional**

**830nm 2W High Power LD with FAC Optional | Linear Beam Optional | Built-in PD Optional**

WSLD-830-002-2

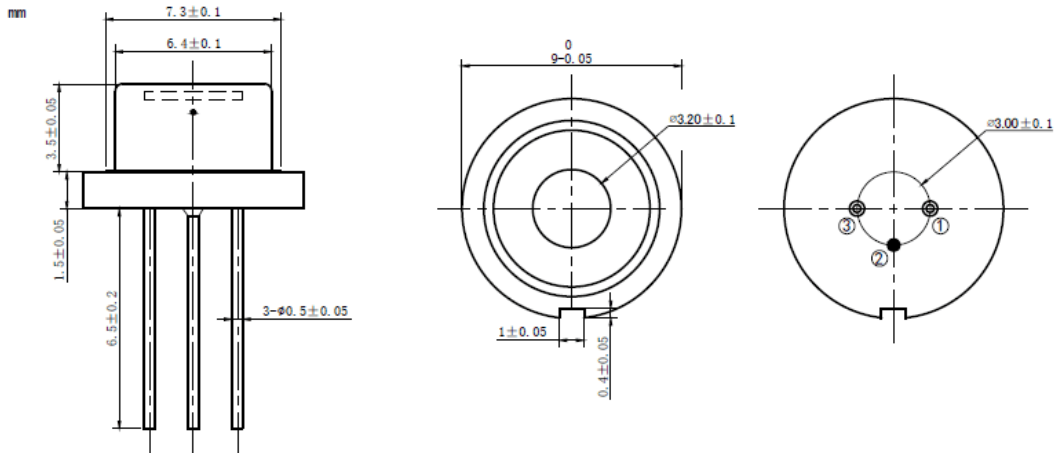
Wavespectrum laser Group.

www.wavespectrum-laser.com

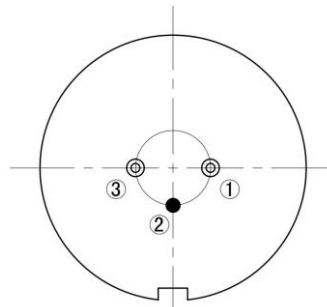
830nm Laser Diode		2W/TO5		Wavespectrum Laser Group	
Reverse Voltage	$V_r$	2.0		V	
Operating Temperature	$T_{op}$	0~+40		°C	
Storage Temperature	$T_{stg}$	-40~+85		°C	
Lead soldering temperature (10 sec.)	$T_{is}$	260		°C	
<b>Features:</b> <ul style="list-style-type: none"> <li>830nm</li> <li>2W Output Power</li> <li>TO5 Package</li> <li>Square Beam Optional</li> <li>Photodiode Optional</li> </ul>					
<b>Applications:</b> <ul style="list-style-type: none"> <li>Medical Laser Treatment</li> <li>Laser Indicator</li> <li>Others</li> </ul>					
<b>Specifications</b>		<b>WSLD-830-002-2</b>			
		<b>Min</b>	<b>Type</b>	<b>Max</b>	
Center Wavelength@25°C		±5nm	830nm	±10nm	
Spectral Width (FWHM)		----	2.5nm	----	
Output Power		----	2W	----	
Recommended Operating Temperature		25°C			
Beam Divergence (FWHM)		----	38°± x 10°//	40°± x 12°//	
Temperature Coefficient of Wavelength		----	0.3nm / °C	----	
Slope Efficiency		----	1.0W/A	----	
Threshold Current (Typ.)		----	0.4A	----	
Operating Current (Typ.)		----	2.6A	----	
Operating Voltage		----	2.5V	----	
Package Style		TO5 (9mm)			
FAC Lens		Optional			



## T05 Package View



## PIN Bottom View:



1	LD(+)
2	GND
3	LD(-)

**Electrically shorten LD module and store in non-extreme conditions.  
Suggest using the constant current power supply.**



Wavespectrum Laser Group  
[www.wavespectrum-laser.com](http://www.wavespectrum-laser.com)  
[sales@wavespectrum-laser.com](mailto:sales@wavespectrum-laser.com)

