

808nm 300mW Laser Diodes with Photodiode | Infrared Laser Diode
808nm~810nm LD 300mW with TO18 Package

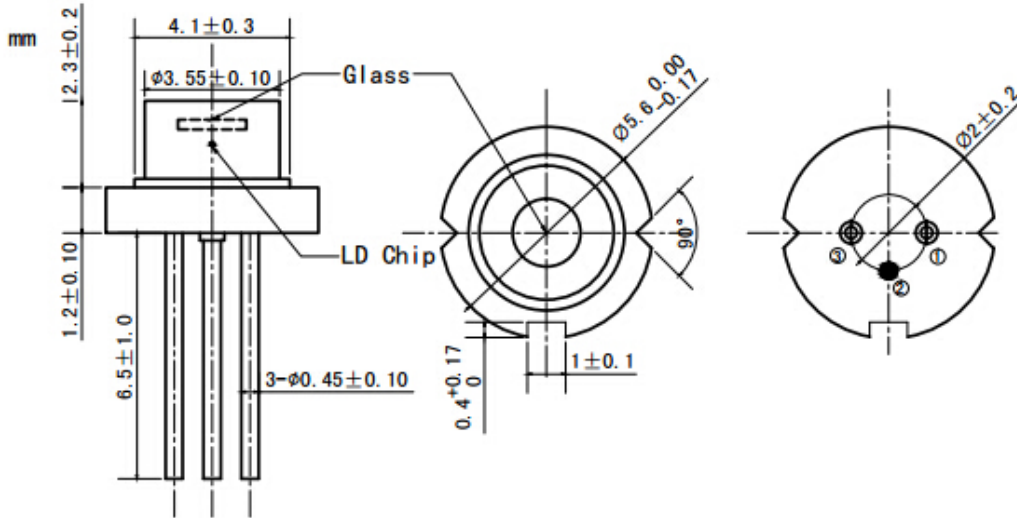
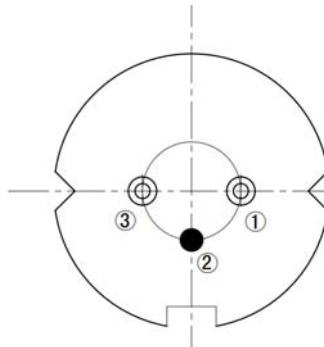
WSLD-808-300m-1-PD

Wavespectrum Laser Group.

www.wavespectrum-laser.com

808nm Laser Diode		300mW/TO18		Wavespectrum Laser Group	
Reverse Voltage	V_r	2.0		V	
Operating Temperature	T_{op}	-10~+50		°C	
Storage Temperature	T_{stg}	-40~+80		°C	
Lead soldering temperature (10 sec.)	T_{is}	260		°C	
Features: <ul style="list-style-type: none"> ● 808nm ● CW ● TO18 Package ● Built-in Photodiodes 					
Applications: <ul style="list-style-type: none"> ● Medical Laser Treatment ● Laser Indicator ● Laser Detector 					
Specifications		WSLD-808-300m-1-PD			
		Min	Type	Max	
Center Wavelength@25°C		$\pm 3\text{nm}$	808nm	$\pm 10\text{nm}$	
Spectral Width (FWHM)		----	2.5nm	----	
Output Power		----	300mW	----	
Recommended Work Temperature		25°C			
Beam Divergence (FWHM)		----	$36^\circ \pm \times 12^\circ //$	----	
Slope Efficiency		----	1.0mW/mA	----	
Threshold Current (Typ.)		----	50mA	80mA	
Operating Current (Typ.)		----	350mA	380mA	
Operating Voltage		----	2.4V	2.8V	
Package Style		TO18			



TO18(5.6mm) Package View

PIN Bottom View:


1	LD(-)
2	LD(+) & PD(-)
3	PD(+)

Electrically shorten LD module and store in non-extreme conditions.
 Suggest using the constant current power supply.

