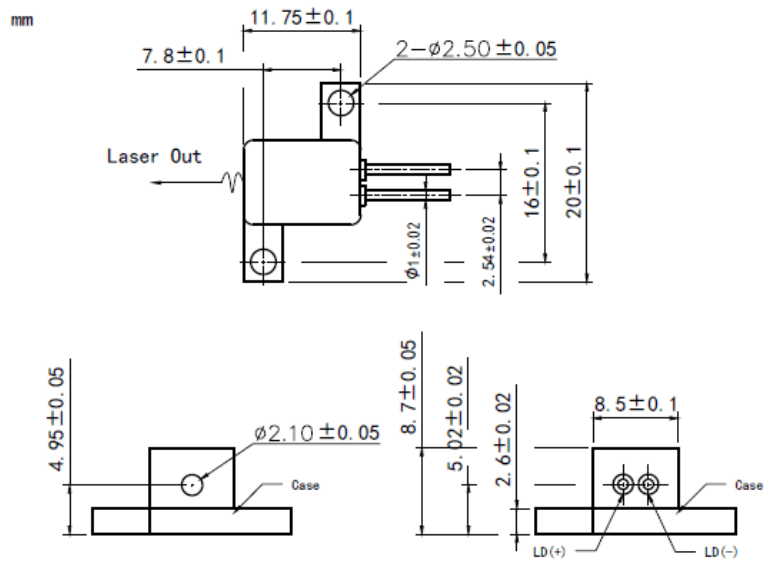


**808nm~810nm 5W Laser Diodes with H-mount Package | Square Beam Optional**  
**808nm 5W High Power LD | Hermetic Package | Window Package | FAC Lens Optional**  
 WSLD-808-005-H      Wavespectrum laser Group.      www.wavespectrum-laser.com

808nm Laser Diode	5W/H-mount	Wavespectrum Laser Group	
<b>Reverse Voltage</b>	<b>V<sub>r</sub></b>	<b>2.0</b>	<b>V</b>
<b>Operating Temperature</b>	<b>T<sub>op</sub></b>	<b>+10~+30</b>	<b>°C</b>
<b>Storage Temperature</b>	<b>T<sub>stg</sub></b>	<b>-20~ +80</b>	<b>°C</b>
<b>Lead soldering temperature (10 sec.)</b>	<b>T<sub>is</sub></b>	<b>260</b>	<b>°C</b>
<b>Features:</b> <ul style="list-style-type: none"> <li>808nm</li> <li>High Power, CW, Multi-mode</li> <li>H-mount Package</li> </ul>			
<b>Applications:</b> <ul style="list-style-type: none"> <li>Medical Laser Treatment</li> <li>Pumping Laser</li> <li>Night Vision</li> <li>Others</li> </ul>			
<b>Specifications</b>		<b>WSLD-808-005-H</b>	
	<b>Min</b>	<b>Type</b>	<b>Max</b>
<b>Center Wavelength@25°C</b>	<b>+/-3nm</b>	<b>808nm</b>	<b>+/-10nm</b>
<b>Spectral Width (FWHM)</b>	----	<b>3.0nm</b>	----
<b>Output Power</b>	----	<b>5W</b>	----
<b>Emitter Area</b>	----	<b>200x1μm</b>	----
<b>Beam Divergence (FWHM)</b>	----	<b>35°<sub>⊥</sub> x 8°<sub>//</sub></b>	----
<b>Temperature Coefficient of Wavelength</b>	----	<b>0.3nm / °C</b>	----
<b>Slope Efficiency</b>	----	<b>1.2W/A</b>	----
<b>Threshold Current (Typ.)</b>	----	<b>0.7A</b>	----
<b>Operating Current (Typ.)</b>	----	<b>5.2A</b>	<b>5.5A</b>
<b>Operating Voltage</b>	----	<b>1.8V</b>	<b>2.2V</b>
<b>Package Style</b>	<b>H-mount</b>		
<b>Recommended Operating Temperature</b>	<b>25°C</b>		



### H-mount Package View



**Electrically shorten LD module and store in non-extreme conditions.  
 Suggest using the constant current power supply.**

