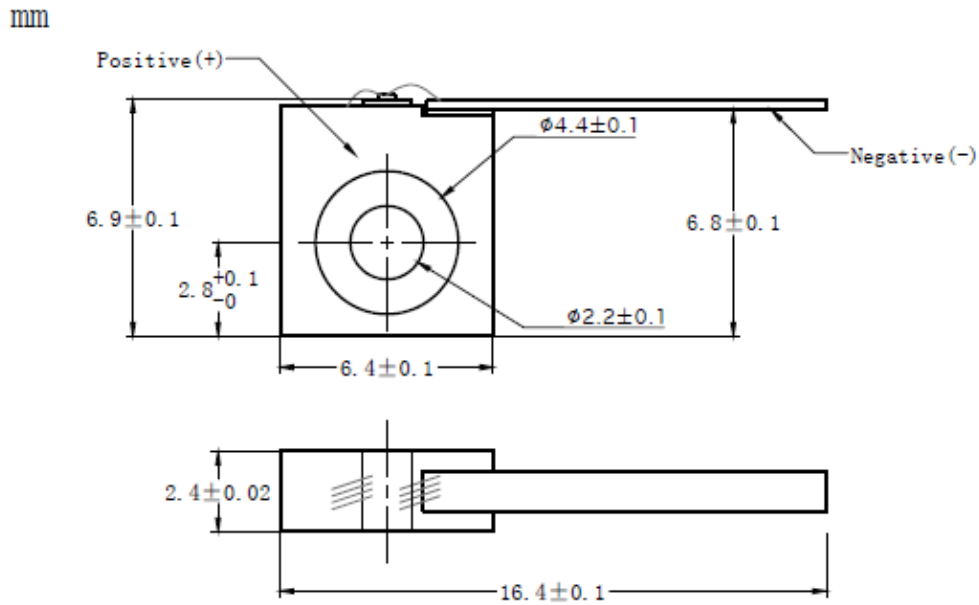


808nm~810nm 5W C-mount Laser Diode | FAC Optional | Square Beam Optional
808nm Laser Diode| High Power LD| 5W Output Power| C-mount Package
WSLD-808-005-C
Wavespectrum Laser Group
www.wavespectrum-laser.com

808nm Laser Diode		5W/C-mount		en.wavespectrum-laser.com.cn	
PARAMETER	SYMBOL	VALUE		UNIT	
Reverse Voltage	V_r	2.0		V	
Operating Temperature	T_{op}	+10~+30		°C	
Storage Temperature	T_{stg}	-20~ +80		°C	
Lead soldering temperature (10 sec.)	T_{is}	260		°C	
Features: <ul style="list-style-type: none"> ● 808nm ● Multimode ● C-mount Package ● FAC Lens Optional 					
Applications: <ul style="list-style-type: none"> ● Medical Laser Treatment ● Laser Indicator ● Others 					
Specifications		WSLD-808-005-C			
		Min	Type	Max	
Center Wavelength@25°C		±3nm	808nm	±10nm	
Spectral Width (FWHM)			2.0nm		
Output Power		----	5W	----	
Emitter Area		----	200x1μm	-----	
Beam Divergence (FWHM)		----	35°± x 8°//	----	
Temperature Coefficient of Wavelength		----	0.3nm / °C	----	
Slope Efficiency		----	1.2W/A	----	
Threshold Current (Typ.)		----	0.7A	----	
Operating Current (Typ.)		----	5.2A	5.5A	
Operating Voltage		----	1.8V	2.2V	
Package Style		C-mount			
Recommended Operating Temperature		25°C			



C-mount Package View



**Electrically shorten LD module and store in non-extreme conditions.
Suggest using the constant current power supply.**

