


808nm~810nm 3W Laser Diodes with TO3 Package | Square Beam Optional
808nm 3W High Power LD | FAC Lens Optional | Hermetic Package

WSLD-808-003-3

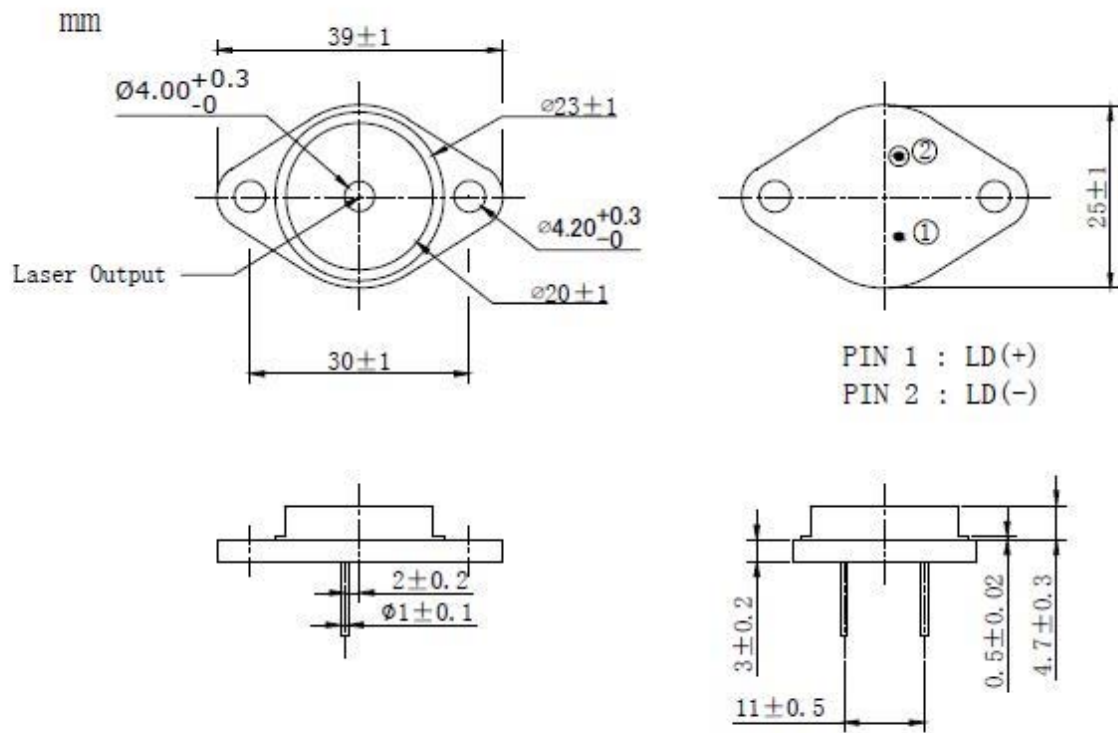
Wavespectrum laser Group.

www.wavespectrum-laser.com

808nm Laser Diode		3W/TO3		Wavespectrum Laser Group	
Reverse Voltage	V_r	2.0		V	
Operating Temperature	T_{op}	+10~+30		°C	
Storage Temperature	T_{stg}	-20~ +80		°C	
Lead soldering temperature (10 sec.)	T_{is}	260		°C	
Features: <ul style="list-style-type: none"> 808nm High Power ,CW, Multi-mode TO3 Package 					
Applications: <ul style="list-style-type: none"> Medical Laser Treatment Pumping Laser Night Vision Others 					
Specifications		WSLD-808-003-3			
		Min	Type	Max	
Center Wavelength@25°C		±3nm	808nm	±10nm	
Spectral Width (FWHM)		----	3.0nm	----	
Output Power		----	3W	----	
Emitter Area		----	100x1μm	----	
Beam Divergence (FWHM)		----	35° _⊥ x 8° _{//}	----	
Temperature Coefficient of Wavelength		----	0.3nm / °C	----	
Slope Efficiency		----	1.2W/A	----	
Threshold Current (Typ.)		----	0.4A	0.7A	
Operating Current (Typ.)		----	3.0A	3.4A	
Operating Voltage		----	1.8V	2.2V	
Package Style		TO3			
Recommended Operating Temperature		25°C			



T03 Package View



**Electrically shorten LD module and store in non-extreme conditions.
 Suggest using the constant current power supply.**

