
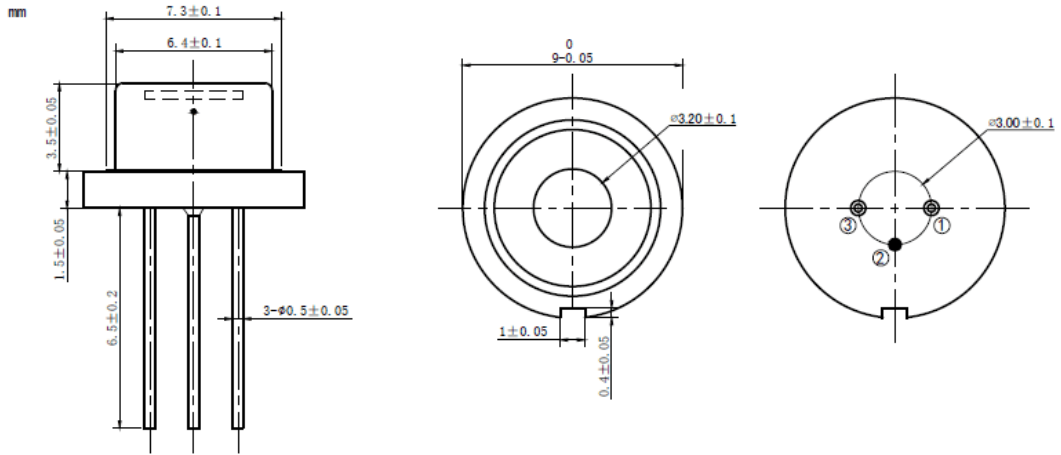


808nm~810nm 3W Laser Diodes | TO5 9mm package| Square Beam Optional
808nm 3W High Power LD with FAC Optional | Linear Beam Optional | Built-in PD Optional
WSLD-808-003-2 **Wavespectrum laser Group.** **www.wavespectrum-laser.com**

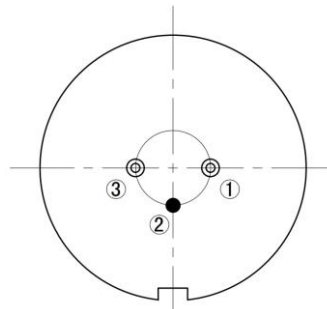
808nm Laser Diode		3W/TO5		Wavespectrum Laser Group	
Reverse Voltage	V_r	2.0		V	
Operating Temperature	T_{op}	0~+30		°C	
Storage Temperature	T_{stg}	-40~+85		°C	
Lead soldering temperature (10 sec.)	T_{is}	260		°C	
Features: <ul style="list-style-type: none"> ● 808nm ● 3W Output Power ● TO5 Package ● Square Beam Optional ● Photodiode Optional 					
Applications: <ul style="list-style-type: none"> ● Medical Laser Treatment ● Laser Indicator ● Others 					
Specifications		WSLD-808-003-2			
		Min	Type	Max	
Center Wavelength@25°C		±3nm	808nm	±10nm	
Spectral Width (FWHM)		----	2.5nm	----	
Output Power		----	3W	----	
Recommended Operating Temperature		25°C			
Beam Divergence (FWHM)		----	38°± x 10°//	40°± x 12°//	
Temperature Coefficient of Wavelength		----	0.3nm / °C	----	
Slope Efficiency		----	1.1W/A	----	
Threshold Current (Typ.)		----	0.6A	----	
Operating Current (Typ.)		----	3.3A	----	
Operating Voltage		----	2.2V	----	
Package Style		TO5 (9mm)			
FAC Lens		Optional			



T05 Package View



PIN Bottom View:



1	LD(+)
2	GND
3	LD(-)

**Electrically shorten LD module and store in non-extreme conditions.
Suggest using the constant current power supply.**

