


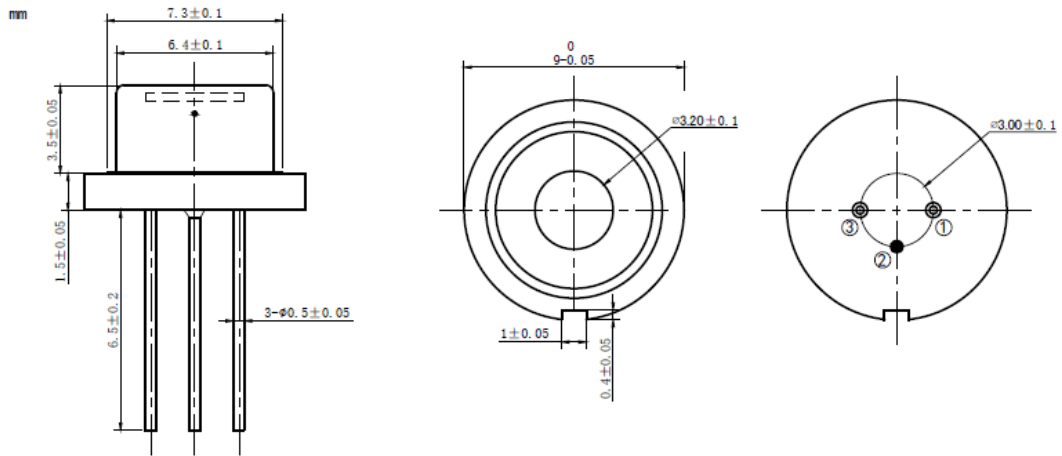


808nm~810nm 1W Laser Diodes | TO5 9mm Package| Built-in PD| Square Beam Optional
808nm 1000mW High Power LD with Photodiode | FAC Lens Optional
 WSLD-808-001-2-PD Wavespectrum laser Group. www.wavespectrum-laser.com

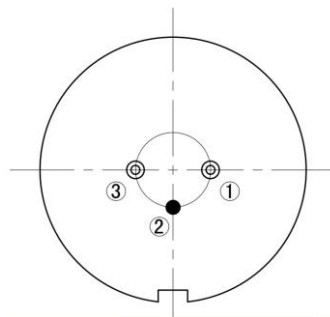
808nm Laser Diode		1W/TO5		Wavespectrum Laser Group	
Reverse Voltage	V_r	2.0		V	
Operating Temperature	T_{op}	0~+40		°C	
Storage Temperature	T_{stg}	-40~+85		°C	
Lead soldering temperature (10 sec.)	T_{is}	260		°C	
Features: <ul style="list-style-type: none"> 808nm TO5 Package Built-in PD Square Beam Optional 					
Applications: <ul style="list-style-type: none"> Medical Laser Treatment Laser Indicator Others 					
Specifications		WSLD-808-001-2-PD			
		Min	Type	Max	
Center Wavelength@25°C		±3nm	808nm	±10nm	
Spectral Width (FWHM)		----	2.5nm	----	
Output Power		----	1W	----	
Recommended Operating Temperature		25°C			
Beam Divergence (FWHM)		----	38°± x 10°//	40°± x 12°//	
Temperature Coefficient of Wavelength		----	0.3nm / °C	----	
Slope Efficiency		----	1.1W/A	----	
Threshold Current (Typ.)		----	0.2A		
Operating Current (Typ.)		----	1.2A		
Operating Voltage		----	2.2V		
Package Style		TO5 (9mm)			
FAC Lens		Optional			



T05 Package View



PIN Bottom View:



1	LD(-)
2	LD(+) & PD(-)
3	PD(+)

**Electrically shorten LD module and store in non-extreme conditions.
Suggest using the constant current power supply.**

