

785nm~790nm 4W C-mount Laser Diode | FAC Optional | Square Beam Optional

785nm Laser Diode| High Power LD| 4W Power| C-mount Package

WSLD-785-004-C

Wavespectrum Laser Group

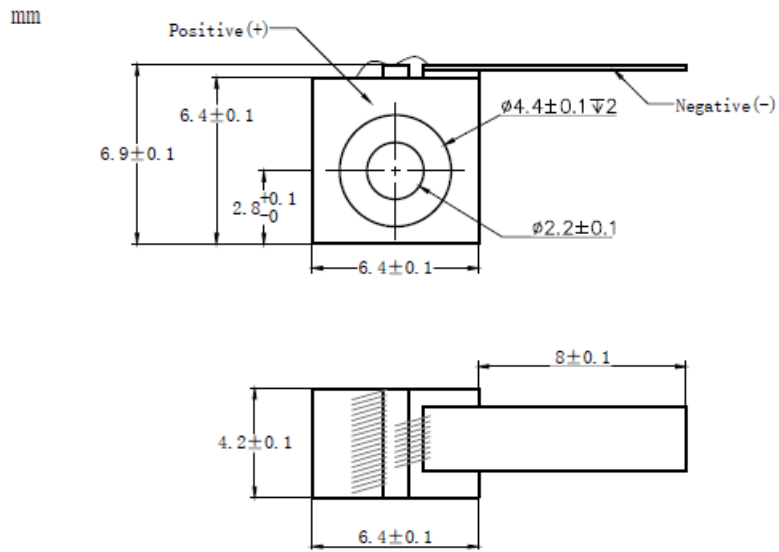
www.wavespectrum-laser.com

en.wavespectrum-laser.com.cn

| 785nm Laser Diode | | 4W/C-mount | |
|---|-----------|---|---|
| PARAMETER | SYMBOL | VALUE | UNIT |
| Reverse Voltage | V_r | 2.0 | V |
| Operating Temperature | T_{op} | +10~+30 | °C |
| Storage Temperature | T_{stg} | -20~ +80 | °C |
| Lead soldering temperature (10 sec.) | T_{is} | 260 | °C |
| Features: <ul style="list-style-type: none"> ● 785nm ● Multimode ● C-mount Package ● FAC Lens Optional | |  | |
| Applications: <ul style="list-style-type: none"> ● Medical Laser Treatment ● Sensing ● Others | | | |
| Specifications | | WSLD-785-004-C | |
| | | Min | Type |
| Center Wavelength@25°C | | $\pm 5\text{nm}$ | 785nm |
| Spectral Width (FWHM) | | | 2.0nm |
| Output Power | | ---- | 4W |
| Emitter Area | | ---- | 200x1μm |
| Beam Divergence (FWHM) | | ---- | 35°\perp x 8°\parallel |
| Temperature Coefficient of Wavelength | | ---- | 0.3nm / °C |
| Slope Efficiency | | ---- | 1.1W/A |
| Threshold Current (Typ.) | | ---- | 0.7A |
| Operating Current (Typ.) | | ---- | 4.3A |
| Operating Voltage | | ---- | 2.0V |
| Package Style | | C-mount | |
| Recommended Operating Temperature | | 25°C | |



C-mount Package View



**Electrically shorten LD module and store in non-extreme conditions.
Suggest using the constant current power supply.**

