

780nm~785nm~790nm 3W C-mount Laser Diode | FAC Optional | Square Beam Optional

785nm Laser Diode| High Power LD| 3W Power| C-mount Package

WSLD-785-003-C

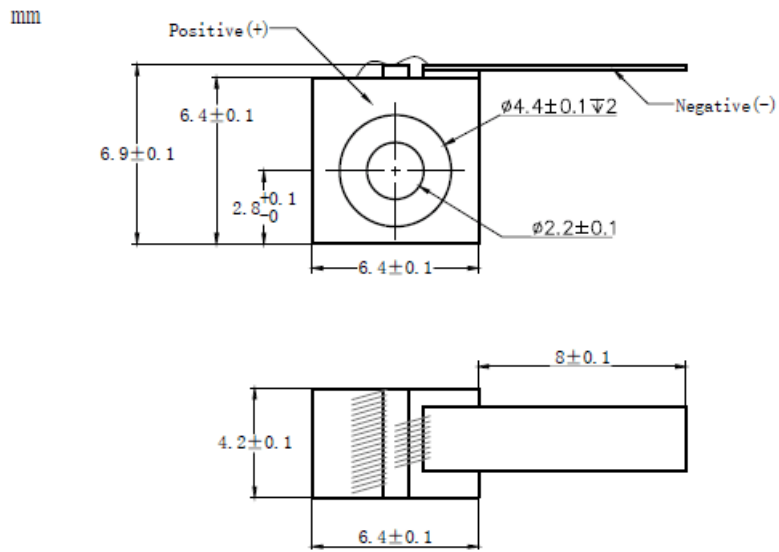
Wavespectrum Laser Group

www.wavespectrum-laser.com
en.wavespectrum-laser.com.cn

785nm Laser Diode		3W/C-mount	
PARAMETER	SYMBOL	VALUE	UNIT
Reverse Voltage	V_r	2.0	V
Operating Temperature	T_{op}	+10~+30	°C
Storage Temperature	T_{stg}	-20~ +80	°C
Lead soldering temperature (10 sec.)	T_{is}	260	°C
Features: <ul style="list-style-type: none"> 785nm Multimode C-mount Package FAC Lens Optional 			
Applications: <ul style="list-style-type: none"> Medical Laser Treatment Sensing Others 			
Specifications		WSLD-785-003-C	
		Min	Type
Center Wavelength@25°C		±5nm	785nm
Spectral Width (FWHM)			2.0nm
Output Power		----	3W
Emitter Area		----	200x1μm
Beam Divergence (FWHM)		----	35°± x 8°//
Temperature Coefficient of Wavelength		----	0.3nm / °C
Slope Efficiency		----	1.0W/A
Threshold Current (Typ.)		----	0.6A
Operating Current (Typ.)		----	3.6A
Operating Voltage		----	1.9V
Package Style		C-mount	
Recommended Operating Temperature		25°C	



C-mount Package View



**Electrically shorten LD module and store in non-extreme conditions.
Suggest using the constant current power supply.**



Wavespectrum Laser Group
www.wavespectrum-laser.com
sales@wavespectrum-laser.com

