

680nm~685nm 1W High Power Laser Diode| E-mount Package| High Power Red LD

670nm~680nm~690nm 1W E-mount Package Red Laser Diodes | FAC Optional

WSLD-680-001-E

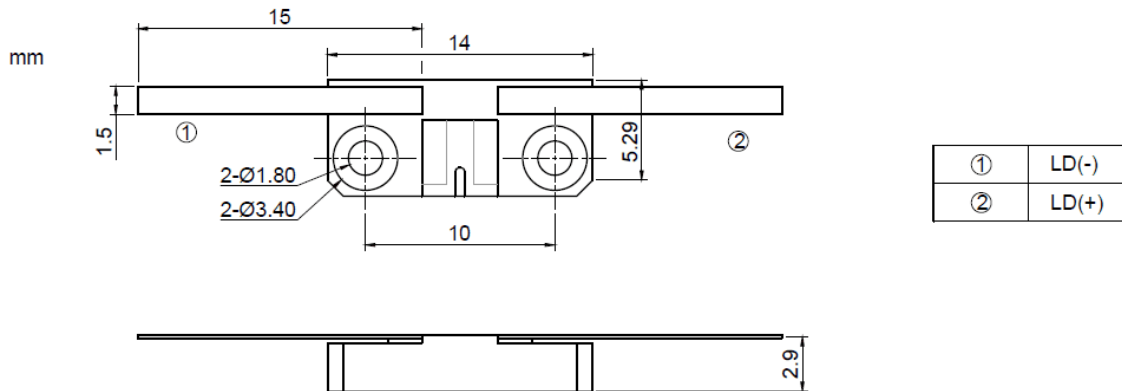
Wavespectrum Laser Group

www.wavespectrum-laser.com

680nm Laser Diode		1W/E-mount		en.wavespectrum-laser.com.cn	
PARAMETER	SYMBOL	VALUE	UNIT		
Reverse Voltage	V_r	2.0	V		
Operating Temperature	T_{op}	+10~+20	°C		
Storage Temperature	T_{stg}	-20~ +80	°C		
Lead soldering temperature (10 sec.)	T_{is}	260	°C		
Features: <ul style="list-style-type: none"> 680nm High Power ,CW, Multi-mode High Quality E-mount Package 					
Applications: <ul style="list-style-type: none"> Medical Laser Treatment Laser Indicator Laser Detector 					
Specifications		WSLD-680-001-E			
		Min	Type	Max	
Center Wavelength@18°C		±5nm	680nm	±10nm	
Spectral Width (FWHM)			2nm		
Output Power			1W		
Emitter Area			150x1μm		
Beam Divergence (FWHM)			35° _⊥ x 8° _{//}		
Temperature Coefficient of Wavelength			0.25nm / °C		
Slope Efficiency			1.1W/A		
Threshold Current (Typ.)			0.5A		
Operating Current (Typ.)			1.5A		
Operating Voltage			2.4V		
Package Style			E-mount		
Recommend Operating Temp			≤18°C		



E-mount Package View



**Electrically shorten LD module and store in non-extreme conditions.
 Suggest using the constant current power supply.**

