

680nm~690nm 1W High Power Laser Diode| C-mount Package| High Power Red LD

670nm~680nm~685nm 1W C-mount Package Red Laser Diodes | FAC Optional

WSLD-680-001-C

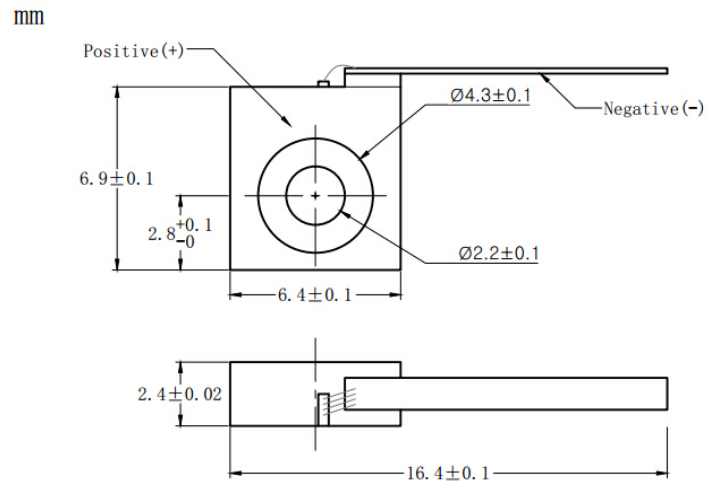
Wavespectrum Laser Group

www.wavespectrum-laser.com

| 680nm Laser Diode | | 1W/C-mount | | en.wavespectrum-laser.com.cn | |
|---|-----------|---|-------------|------------------------------|--|
| PARAMETER | SYMBOL | VALUE | UNIT | | |
| Reverse Voltage | V_r | 2.0 | V | | |
| Operating Temperature | T_{op} | +10~+20 | °C | | |
| Storage Temperature | T_{stg} | -20~ +80 | °C | | |
| Lead soldering temperature (10 sec.) | T_{is} | 260 | °C | | |
| Features: <ul style="list-style-type: none"> 680nm High Power ,CW, Multi-mode High Quality C-mount Package | |  | | | |
| Applications: <ul style="list-style-type: none"> Medical Laser Treatment Laser Indicator Laser Detector | | | | | |
| Specifications | | WSLD-680-001-C | | | |
| | | Min | Type | Max | |
| Center Wavelength@18°C | | ±5nm | 680nm | ±10nm | |
| Spectral Width (FWHM) | | | 2nm | | |
| Output Power | | | 1W | | |
| Emitter Area | | | 150x1μm | | |
| Beam Divergence (FWHM) | | | 35°± x 8°// | | |
| Temperature Coefficient of Wavelength | | | 0.25nm / °C | | |
| Slope Efficiency | | | 1.1W/A | | |
| Threshold Current (Typ.) | | | 0.5A | | |
| Operating Current (Typ.) | | | 1.5A | | |
| Operating Voltage | | | 2.4V | | |
| Package Style | | | C-mount | | |
| Recommend Operating Temp | | | ≤18°C | | |



C-mount Package View



**Electrically shorten LD module and store in non-extreme conditions.
Suggest using the constant current power supply.**

