

680nm~690nm 1W TO Can Laser Diode| High Power Red LD with TO3 Package

670nm~680nm~685nm 1W Red Laser Diode | TO3 Package LD | FAC Optional

WSLD-680-001-3

Wavespectrum Laser Group

www.wavespectrum-laser.com

680nm Laser Diode	1W/TO3	en.wavespectrum-laser.com.cn
-------------------	--------	------------------------------

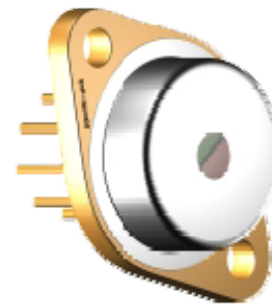
PARAMETER	SYMBOL	VALUE	UNIT
Reverse Voltage	V_r	2.0	V
Operating Temperature	T_{op}	+10~+20	°C
Storage Temperature	T_{stg}	-20~ +80	°C
Lead soldering temperature (10 sec.)	T_{is}	260	°C

Features:

- 680nm
- High power ,CW, Multi-mode
- High Quality
- TO3 Package

Applications:

- Medical Laser Treatment
- Laser Indicator
- Laser Detector



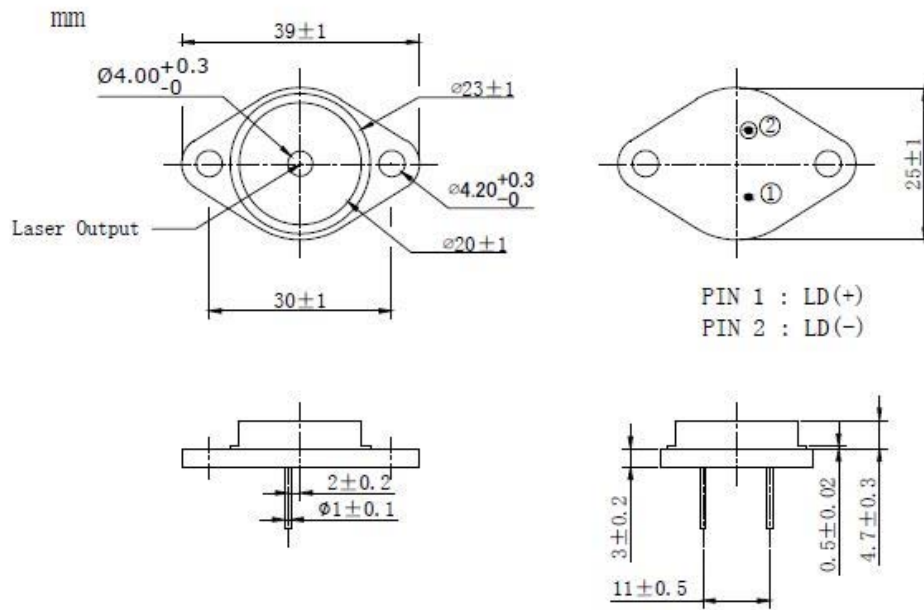
Specifications

WSLD-680-001-3

	Min	Type	Max
Center Wavelength@25°C	±5nm	680nm	±10nm
Spectral Width (FWHM)		2nm	
Output Power		1W	
Emitter Area		150x1μm	
Beam Divergence (FWHM)		35° _⊥ x 8° _{//}	
Temperature Coefficient of Wavelength		0.25nm / °C	
Slope Efficiency		1.1W/A	
Threshold Current (Typ.)		0.5A	
Operating Current (Typ.)		1.5A	
Operating Voltage		2.4V	
Package Style		TO3	
Recommend operating temp		≤18°C	



T03 Package View



**Electrically shorten LD module and store in non-extreme conditions.
 Suggest using the constant current power supply.**

