

650nm~660nm 1W High Power Laser Diode| E-mount Package| High Power Red LD

658nm 1W E-mount Package Red Laser Diodes | FAC Optional

WSLD-650-001-E

Wavespectrum Laser Group

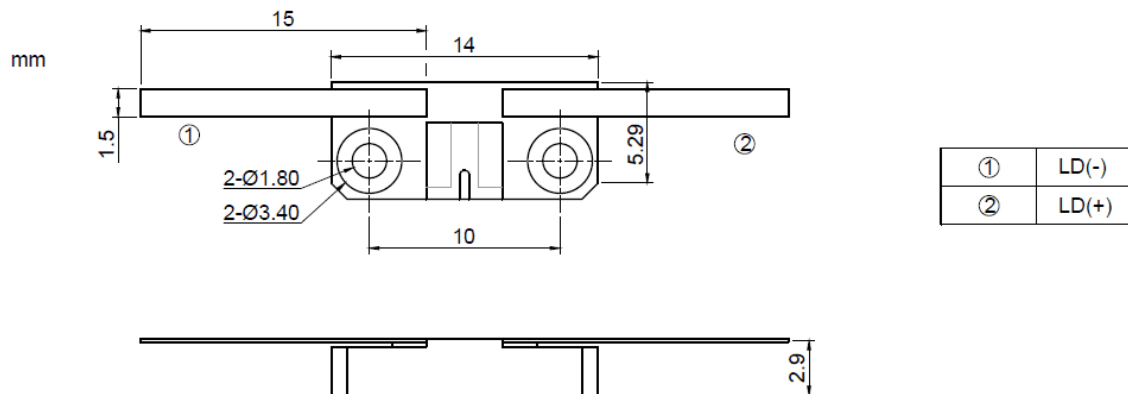
www.wavespectrum-laser.com

en.wavespectrum-laser.com.cn

650nm Laser Diode		1W/E-mount	
PARAMETER	SYMBOL	VALUE	UNIT
Reverse Voltage	$V_r$	2.0	V
Operating Temperature	$T_{op}$	+10~+20	°C
Storage Temperature	$T_{stg}$	-20~ +80	°C
Lead soldering temperature (10 sec.)	$T_{is}$	260	°C
<b>Features:</b> <ul style="list-style-type: none"> <li>● 650nm</li> <li>● High Power ,CW, Multi-mode</li> <li>● High Quality</li> <li>● E-mount Package</li> </ul>			
<b>Applications:</b> <ul style="list-style-type: none"> <li>● Medical Laser Treatment</li> <li>● Laser Indicator</li> <li>● Laser Detector</li> </ul>			
<b>Specifications</b>		<b>WSLD-650-001-E</b>	
		<b>Min</b>	<b>Type</b>
<b>Center Wavelength@18°C</b>		$\pm 5\text{nm}$	<b>658nm</b>
<b>Spectral Width (FWHM)</b>			<b>2nm</b>
<b>Output Power</b>			<b>1W</b>
<b>Emitter Area</b>			<b>150x1<math>\mu\text{m}</math></b>
<b>Beam Divergence (FWHM)</b>			<b>35°<math>\perp</math> x 8°<math>\parallel</math></b>
<b>Temperature Coefficient of Wavelength</b>			<b>0.25nm / °C</b>
<b>Slope Efficiency</b>			<b>1.1W/A</b>
<b>Threshold Current (Typ.)</b>			<b>0.5A</b>
<b>Operating Current (Typ.)</b>			<b>1.5A</b>
<b>Operating Voltage</b>			<b>2.4V</b>
<b>Package Style</b>		<b>E-mount</b>	
<b>Recommend Operating Temp</b>		<b><math>\leq 18^\circ\text{C}</math></b>	



### E-mount Package View



**Electrically shorten LD module and store in non-extreme conditions.  
 Suggest using the constant current power supply.**

