

650nm~660nm 1W High Power Laser Diode| C-mount Package| High Power Red LD

658nm 1W C-mount Package Red Laser Diodes | FAC Optional

WSLD-650-001-C

Wavespectrum Laser Group

www.wavespectrum-laser.com

en.wavespectrum-laser.com.cn

| PARAMETER | SYMBOL | VALUE | UNIT |
|--------------------------------------|-----------|----------|------|
| Reverse Voltage | V_r | 2.0 | V |
| Operating Temperature | T_{op} | +10~+20 | °C |
| Storage Temperature | T_{stg} | -20~ +80 | °C |
| Lead soldering temperature (10 sec.) | T_{is} | 260 | °C |

Features:

- 650nm
- High power ,CW, Multi-mode
- High Quality
- C-mount Package

Applications:

- Medical Laser Treatment
- Laser Indicator
- Laser Detector



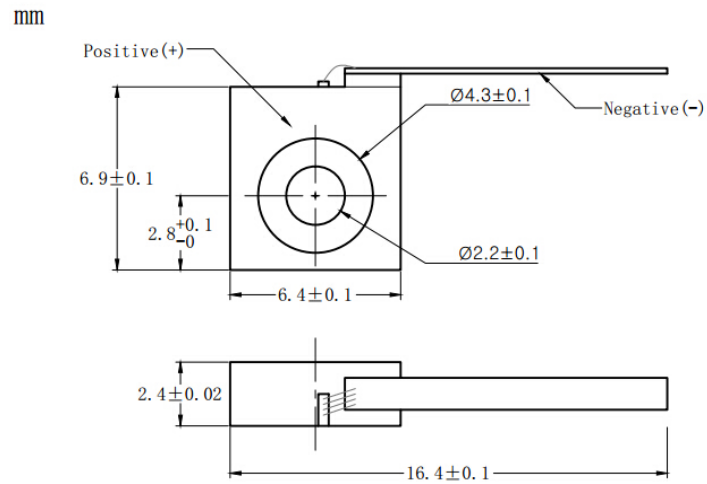
Specifications

WSLD-650-001-C

| | Min | Type | Max |
|---------------------------------------|---------|-------------------------------------|-------|
| Center Wavelength@18°C | ±5nm | 658nm | ±10nm |
| Spectral Width (FWHM) | | 2nm | |
| Output Power | | 1W | |
| Emitter Area | | 150x1μm | |
| Beam Divergence (FWHM) | | 35° _⊥ x 8° _{//} | |
| Temperature Coefficient of Wavelength | | 0.25nm / °C | |
| Slope Efficiency | | 1.1W/A | |
| Threshold Current (Typ.) | | 0.5A | |
| Operating Current (Typ.) | | 1.5A | |
| Operating Voltage | | 2.4V | |
| Package Style | C-mount | | |
| Recommend Operating Temp | ≤18°C | | |



C-mount Package View



**Electrically shorten LD module and store in non-extreme conditions.
Suggest using the constant current power supply.**

