

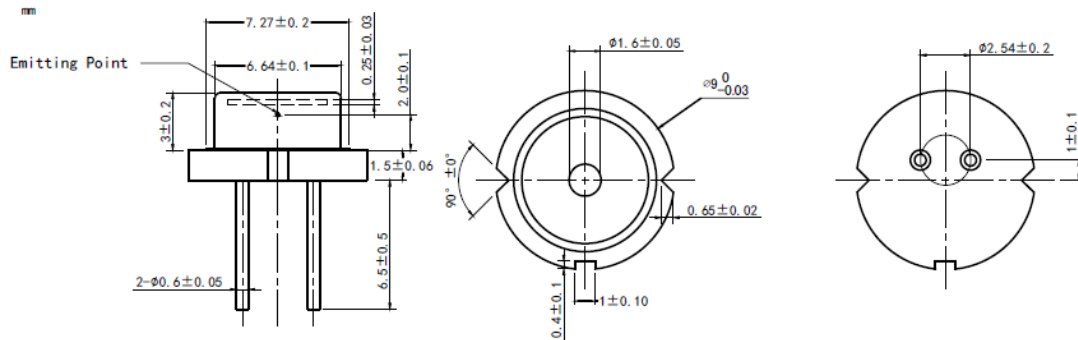


635nm~638nm 2W Laser Diode 9mm TO5 Package | High Power Red Laser Diode | Square Beam Optional  
635nm TO5 Package |2W | Red LD | Without PD | With FAC Lens | Line Beam Optional  
WSLD-635-002-2-FAC Wavespectrum Laser Group. www.wavespectrum-laser.com

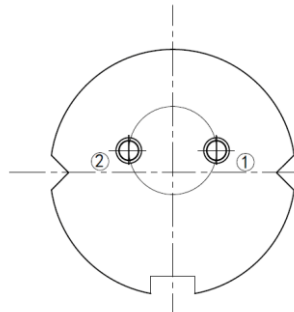
635nm Laser Diode		2W/TO5		Wavespectrum Laser Group.	
PARAMETER		SYMBOL	VALUE		UNIT
Reverse Voltage		$V_r$	2.0		V
Operating Temperature		$T_{op}$	-10~+40		°C
Storage Temperature		$T_{stg}$	-40 ~+85		°C
Lead soldering temperature (10 sec.)		$T_{is}$	260		°C
<b>Features:</b> <ul style="list-style-type: none"> <li>• 638nm</li> <li>• 2W</li> <li>• TO5 Package</li> <li>• With FAC Lens</li> <li>• Without TO Cap</li> </ul>					
<b>Applications:</b> <ul style="list-style-type: none"> <li>• Medical Laser Treatment</li> <li>• Laser Show</li> <li>• Others</li> </ul>					
<b>Specifications</b>		<b>WSLD-635-002-2-FAC</b>			
		<b>Min</b>	<b>Type</b>	<b>Max</b>	
Center Wavelength@25°C		630nm	638nm	645nm	
Spectral Width (FWHM)		----	2.0nm	----	
Output Power		----	2.0W	----	
Recommended Operating Temperature		25°C			
Beam	Beam Divergence (FWHM)	$10^{\circ}_{\perp} \times 10^{\circ}_{//}$			
	Beam Shape	Square Beam (1:1)			
Line Shape Beam( $2^{\circ}_{\perp} \times 8^{\circ}_{//}, 1:4$ )		Optional			
Slope Efficiency		----	1.2W/A	----	
Threshold Current (Typ.)		----	0.5A	---	
Operating Current (Typ.)		----	2.5A	---	
Operating Voltage		----	2.5V	---	
Package Style		TO5(9mm)			



**T05(9mm) Package View:**



**PIN Bottom View:**



1	LD(+)
2	LD(-)

**Electrically shorten LD module and store in non-extreme conditions.  
Suggest using the constant current power supply.**

