


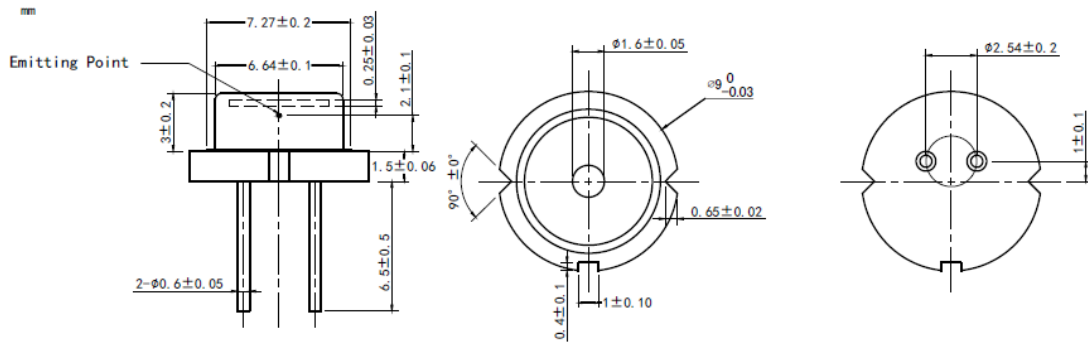


635nm~638nm 1W Laser Diode 9mm TO5 Package | High power Red Laser Diode | Square Beam Optional
 635nm TO5 Package |1W | Red LD | Without PD | With FAC Lens | Line Beam Optional
 WSLD-635-001-2-FAC Wavespectrum Laser Group. www.wavespectrum-laser.com

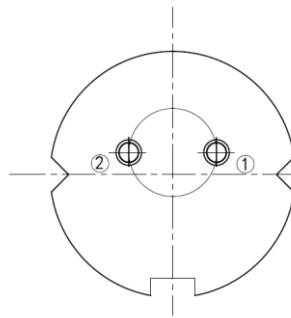
635nm Laser Diode		1W/TO5		Wavespectrum Laser Group.	
PARAMETER		SYMBOL	VALUE		UNIT
Reverse Voltage		V_r	2.0		V
Operating Temperature		T_{op}	-10~+40		°C
Storage Temperature		T_{stg}	-40 ~+85		°C
Lead soldering temperature (10 sec.)		T_{is}	260		°C
Features: <ul style="list-style-type: none"> 638nm 1W TO5 Package With FAC Lens Without TO Cap 					
Applications: <ul style="list-style-type: none"> Medical Laser Treatment Laser Show Others 					
Specifications		WSLD-635-001-2-FAC			
		Min	Type	Max	
Center Wavelength@25°C		630nm	638nm	645nm	
Spectral Width (FWHM)		----	2.0nm	----	
Output Power		----	1.0W	----	
Recommended Operating Temperature		25°C			
Beam	Beam Divergence (FWHM)	10° _⊥ x 10° _{//}			
	Beam Shape	Square Beam (1:1)			
Line Shape Beam(2° _⊥ x 8° _{//} ,1:4)		Optional			
Slope Efficiency		----	1.0W/A	----	
Threshold Current (Typ.)		----	0.3A	0.5A	
Operating Current (Typ.)		----	1.4A	1.6A	
Operating Voltage		----	2.4V	2.8V	
Package Style		TO5(9mm)			



T05(9mm) Package View:



PIN Bottom View:



1	LD(+)
2	LD(-)

**Electrically shorten LD module and store in non-extreme conditions.
Suggest using the constant current power supply.**

