
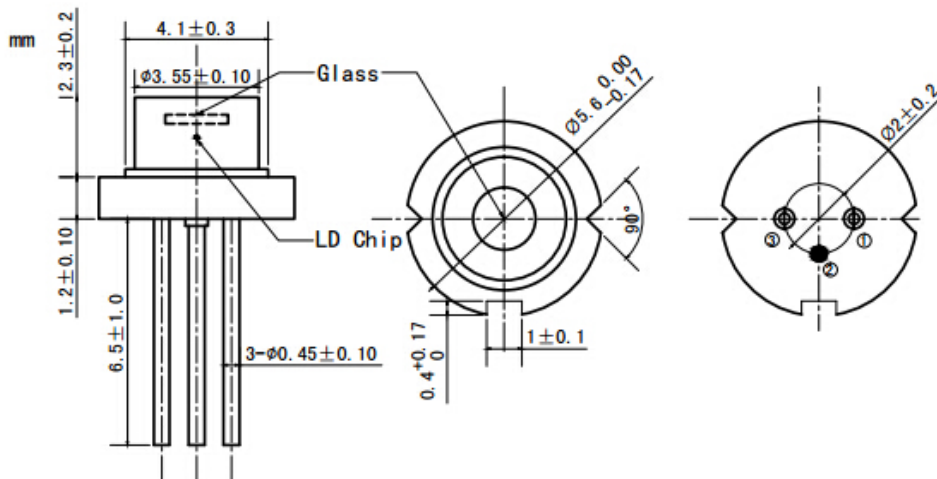
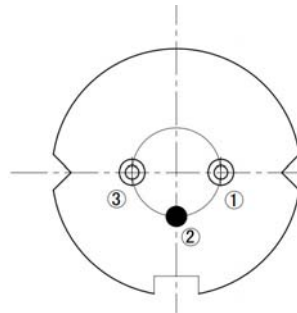


**635nm~638nm 700mW~750mW Laser Diode 5.6mm TO18 Package | High power Red Laser Diode**
**635nm 5.6mm Package|700mw| Red LD | Without PD**
**WSLD-635-700m-1**
**Wavespectrum Laser Group.**
[www.wavespectrum-laser.com](http://www.wavespectrum-laser.com)

635nm Laser Diode		700mW		Wavespectrum Laser Group.	
PARAMETER	SYMBOL	VALUE	UNIT		
Reverse Voltage	$V_r$	2.0	V		
Operating Temperature	$T_{op}$	-10~+40	°C		
Storage Temperature	$T_{stg}$	-40 ~+85	°C		
Lead soldering temperature (10 sec.)	$T_{is}$	260	°C		
<b>Features:</b> <ul style="list-style-type: none"> <li>638nm</li> <li>700mW</li> <li>CW Mode</li> <li>TO18 package</li> </ul>					
<b>Applications:</b> <ul style="list-style-type: none"> <li>Medical Laser Treatment</li> <li>Laser Indicator</li> <li>Others</li> </ul>					
<b>Specifications</b>		<b>WSLD-635-700m-1</b>			
		Min	Type	Max	
Center Wavelength@25°C		630nm	638nm	645nm	
Spectral Width (FWHM)		----	2.0nm	----	
Output Power		----	700mW	----	
Recommended Operating Temperature		25°C			
Beam Divergence (FWHM)		23° <sub>⊥</sub> x 2° <sub>//</sub>	35° <sub>⊥</sub> x 7.5° <sub>//</sub>	45° <sub>⊥</sub> x 20° <sub>//</sub>	
Slope Efficiency		----	1.0mW/mA	----	
Threshold Current (Typ.)		----	180mA	250mA	
Operating Current (Typ.)		----	850mA	950mA	
Operating Voltage		----	2.3V	2.7V	
Package Style		TO18 (5.6mm)			



**TO18(5.6mm) Package View**

**PIN Bottom View:**


1	LD(+)
2	GND
3	LD(-)

Electrically shorten LD module and store in non-extreme conditions.  
 Suggest using the constant current power supply.



More information please contact us:

Website: [www.wavespectrum-laser.com](http://www.wavespectrum-laser.com), [en.wavespectrum-laser.com.cn](http://en.wavespectrum-laser.com.cn)

Email: [Info@wavespectrum-laser.com](mailto:Info@wavespectrum-laser.com), [sales@wavespectrum-laser.com](mailto:sales@wavespectrum-laser.com)

Wavespectrum Laser Group  
[www.wavespectrum-laser.com](http://www.wavespectrum-laser.com)  
[sales@wavespectrum-laser.com](mailto:sales@wavespectrum-laser.com)

