


635nm 500mW Laser Diode with Square Beam|With FAC Lens |5.6mm Package | Red Laser

635nm~638nm 5.6mm Package | 500mW|High Power Red LD | Square Spot for Laser Show

WSLD-635-500m-1-FAC

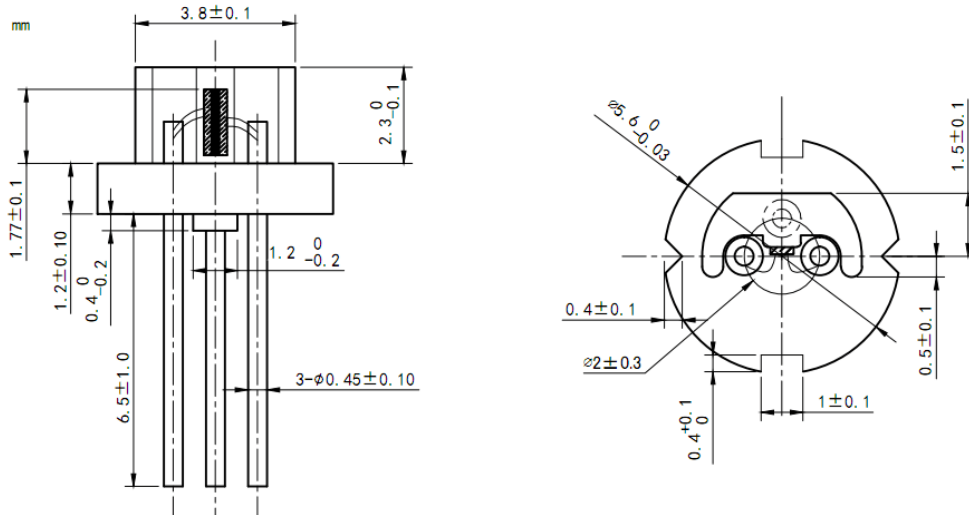
Wavespectrum Laser Group.

www.wavespectrum-laser.com

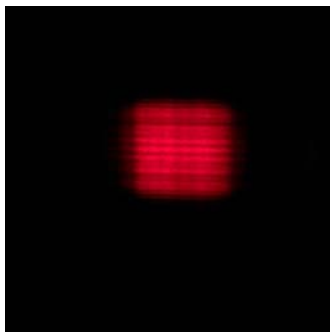
635nm Laser Diode		en.wavespectrum-laser.com.cn		
PARAMETER	SYMBOL	VALUE	UNIT	
Reverse Voltage	V_r	2.0	V	
Operating Temperature	T_{op}	-5 ~ +40	°C	
Storage Temperature	T_{stg}	-40 ~ +85	°C	
Lead soldering temperature (10 sec.)	T_{is}	260	°C	
Features: <ul style="list-style-type: none"> 638nm Square Beam 500mW Output Power CW/Pulse Mode 				
Applications: <ul style="list-style-type: none"> Medical Laser Treatment Laser Indicator 				
Specifications		WSLD-635-500m-1-FAC		
		Min	Type	Max
Center Wavelength@25°C		630nm	638nm	645nm
Spectral Width (FWHM)		----	2.0nm	----
Output Power(CW Mode)		----	500mW	600mW
Output Power (Pulsed Mode)		----	1W	----
		Pulsed Duty=<30%, Frequency>=50HZ		
Recommended Operating Temperature		25°C		
Beam	Beam Divergence (FWHM)	8° ⊥ x 8° //		
	Beam Shape	Square Beam (1:1)		
Line Shape Beam(2° ⊥ x 8° //,1:4)		Optional		
Emitter Size		50um * 1um		
Slope Efficiency		0.8mW/mA	1.0mW/mA	1.5mW/mA
Threshold Current (Typ.)		----	175mA	210mA
Operating Current (Typ.)		----	700mA	800mA
Operating Voltage		2.2V	2.4V	2.6V
Package Style		TO18 (5.6mm)		



Package View:



Beam Shape:



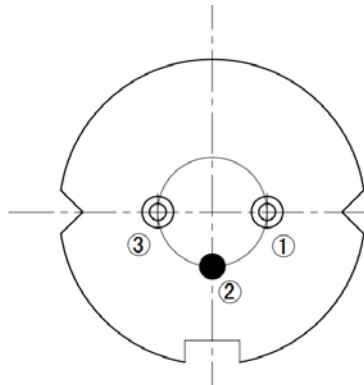
1:1 Square Beam



1:4 Line Beam



PIN Bottom View:



1	LD(+)
2	GND
3	LD(-)

Electrically shorten LD module and store in non-extreme conditions.
 Suggest using the constant current power supply.

