


525nm~530nm Collimated Laser Diode High Power Green LD| 1W Output Power| Collimation Beam

520nm~525nm LD| Small Compact Package| Green Diode Laser

WSLD-525-001-K

Wavespectrum Laser Group

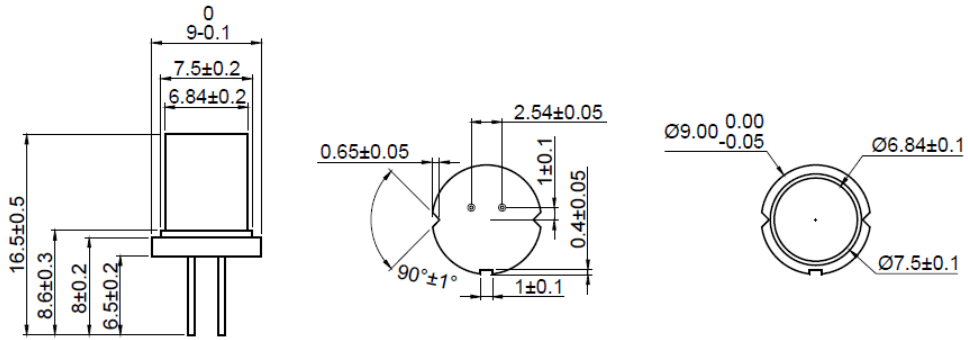
www.wavespectrum-laser.com

525nm Collimated Laser Diode		1.0W/TO5		Wavespectrum Laser Group	
PARAMETER	SYMBOL	VALUE		UNIT	
Reverse Voltage	V_r	2.0		V	
Operating Temperature	T_{op}	0 ~ +60		°C	
Storage Temperature	T_{stg}	-40 ~ +85		°C	
Lead soldering temperature (10 sec.)	T_{is}	260		°C	
Features: <ul style="list-style-type: none"> ● 525nm ● Collimated Laser Beam ● Small Compact Package ● Excellent Beam Quality ● Built-in PD Optional ● Built-in TEC Cooling Optional 					
Specifications		WSLD-525-001-K			
		Min	Type	Max	
Center Wavelength@25°C		510nm	525nm	535nm	
Output Power (CW Mode)		----	1.0W	----	
Spatial Mode		Multi-mode			
Lens Type		Aspheric Lens (with AR Coating)			
Beam Shape		Elliptical			
Beam Diameter @ Aperture		----	3mm _⊥ x 1.5mm _{//}	----	
Beam Divergence (Full Angle)		----	8mrad	----	
Recommend Operating Temperature		25 °C			
Monitor Current		----	----	----	
Threshold Current (Typ.)		----	0.2A	0.5A	
Operating Current (Typ.)		----	1.6A	1.8A	
Operating Voltage		----	5.0V	6.0V	
Package		TO5(9mm)			

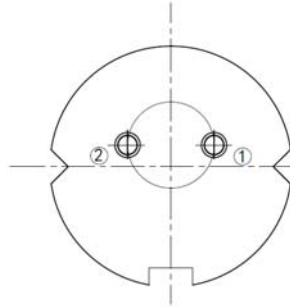


Package Drawing:

mm



PIN Bottom View:



1	LD(+)
2	LD(-)

Electrically shorten LD module and store in non-extreme conditions.
 Suggest using the constant current power supply.

