

525nm~530nm 1W Laser Diode| High Power LD 9mm Package |Green Laser Diode

525nm LD| 1W Power| 9mm TO5 Package | Used for Medical Cure, Laser Show

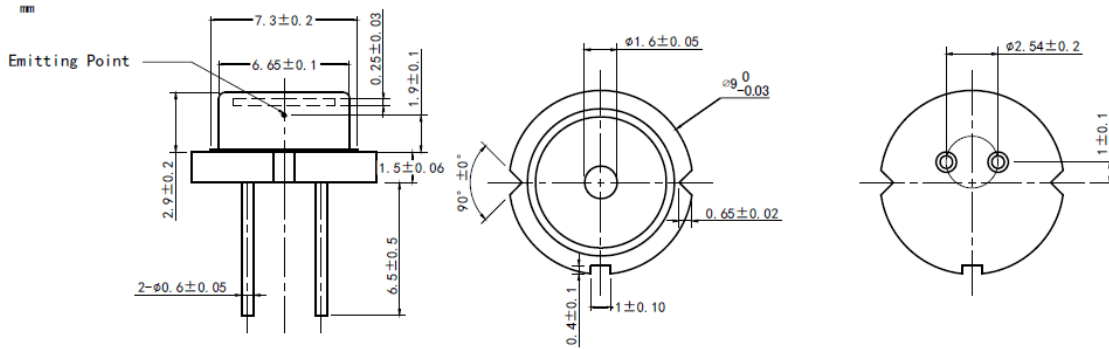
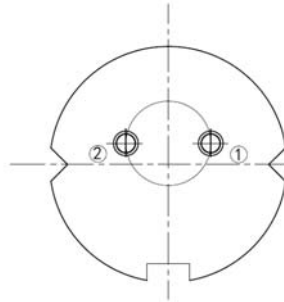
WSLD-525-001-2

Wavespectrum Laser Group.

www.wavespectrum-laser.com

525nm Laser Diode		1W/TO5		en.wavespectrum-laser.com.cn	
PARAMETER	SYMBOL	VALUE		UNIT	
Forward Current	I _f	2.0		A	
Operating Temperature	T _{op}	0~+60		°C	
Storage Temperature	T _{stg}	-40~+85		°C	
Lead soldering temperature (10 sec.)	T _{is}	260		°C	
Features: <ul style="list-style-type: none"> 525nm 1W Output Power TO5 (9mm) Package Long lifetime 					
Applications: <ul style="list-style-type: none"> Medical Laser Treatment Laser Show Others 					
Specifications		WSLD-525-001-2			
		Min	Type	Max	
Center Wavelength@25°C		510nm	525nm	535nm	
Spectral Width (FWHM)		3.0nm			
Output Power		0.9W	1.0W	-----	
Recommended Operating Temperature		25°C			
Beam Divergence		----	12°± x 45° //	----	
Monitor Current		----			
Slope Efficiency		----	0.7W/A	----	
Threshold Current (Typ.)		----	0.2A	0.5A	
Operating Current (Typ.)		----	1.6A	1.8A	
Operating Voltage		----	5.0V	6.0V	
Package Style		9mm			



Package View:

PIN Bottom View:


1	LD(+)
2	LD(-)

Electrically shorten LD module and store in non-extreme conditions.
 Suggest using the constant current power supply.

