

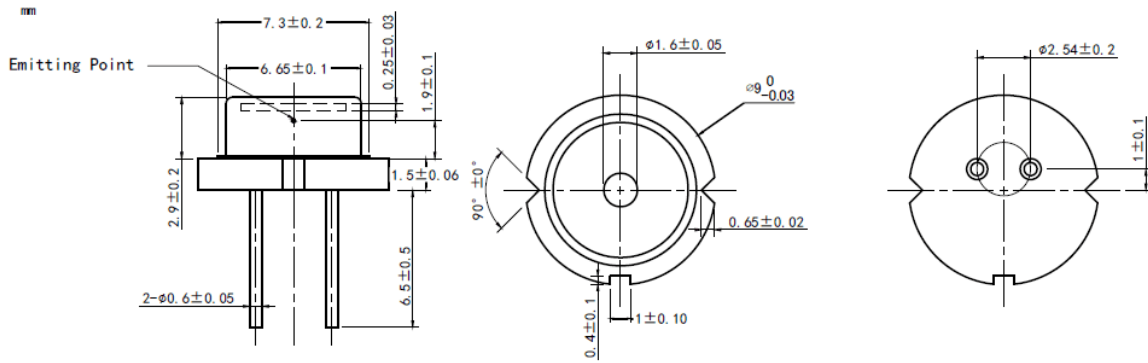
515nm~520nm 1W Laser Diode with FAC Lens | High Power Green LD with Square Beam | TO5 Diode Laser
 520nm 1W LD| 9mm TO5 Package | Linear Beam Optional | Used for Medical Cure, Laser Show
 WSLD-520-001-2-FAC Wavespectrum Laser Group. www.wavespectrum-laser.com

en.wavespectrum-laser.com.cn

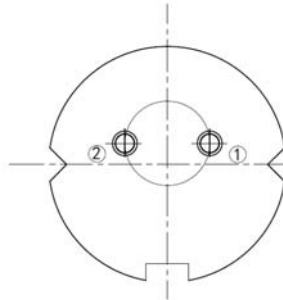
520nm Laser Diode		1W/TO5	
PARAMETER	SYMBOL	VALUE	UNIT
Forward Current	I _f	2.0	A
Operating Temperature	T _{op}	0~+60	°C
Storage Temperature	T _{stg}	-40~+85	°C
Lead soldering temperature (10 sec.)	T _{is}	260	°C
Features: <ul style="list-style-type: none"> 520nm 1W Output Power TO5 (9mm) Package With FAC Lens 			
Applications: <ul style="list-style-type: none"> Medical Laser Treatment Laser Show Others 			
Specifications		WSLD-520-001-2-FAC	
		Min	Type
Center Wavelength@25°C		510nm	520nm
Spectral Width (FWHM)		3.0nm	
Output Power		0.9W	1.0W
Recommended Operating Temperature		25°C	
Beam	Beam Divergence (FWHM)		10°± x 10° //
	Beam Shape	Square Beam (1:1)	
Linear Shape Beam(2°± x 10° //, 1:5)		Optional	
Slope Efficiency		----	0.7W/A
Threshold Current (Typ.)		----	0.2A
Operating Current (Typ.)		----	1.6A
Operating Voltage		----	5.0V
Package Style		TO5 (9mm)	
Linear Beam		Optional	



Package View



PIN Bottom View:



1	LD(+)
2	LD(-)

Electrically shorten LD module and store in non-extreme conditions.
 Suggest using the constant current power supply.

