

515nm~520nm 1W Laser Diode| High Power LD 9mm Package |Green Laser Diode

520nm LD| 1W Power| 9mm TO5 Package | Used for Medical Cure, Laser Show

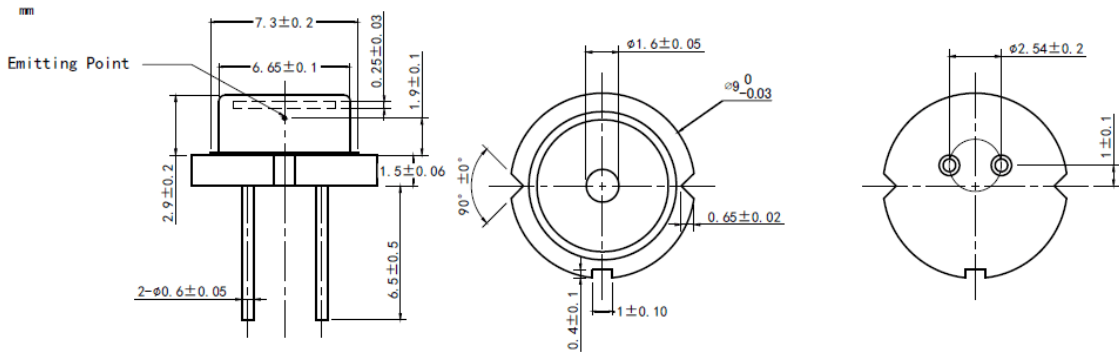
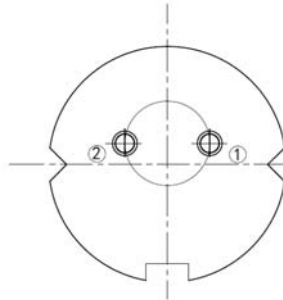
WSLD-520-001-2

Wavespectrum Laser Group.

www.wavespectrum-laser.com

520nm Laser Diode		1W/TO5		en.wavespectrum-laser.com.cn	
PARAMETER	SYMBOL	VALUE		UNIT	
Forward Current	I <sub>f</sub>	2.0		A	
Operating Temperature	T <sub>op</sub>	0~+60		°C	
Storage Temperature	T <sub>stg</sub>	-40~+85		°C	
Lead soldering temperature (10 sec.)	T <sub>is</sub>	260		°C	
<b>Features:</b> <ul style="list-style-type: none"> <li>● 520nm</li> <li>● 1W Output Power</li> <li>● TO5 (9mm) Package</li> <li>● Long lifetime</li> </ul>					
<b>Applications:</b> <ul style="list-style-type: none"> <li>● Medical Laser Treatment</li> <li>● Laser Show</li> <li>● Others</li> </ul>					
<b>Specifications</b>		<b>WSLD-520-001-2</b>			
		Min	Type	Max	
Center Wavelength@25°C		510nm	520nm	535nm	
Spectral Width (FWHM)		3.0nm			
Output Power		0.9W	1.0W	-----	
Recommended Operating Temperature		25°C			
Beam Divergence		----	12°± x 45° //	----	
Monitor Current		----			
Slope Efficiency		----	0.7W/A	----	
Threshold Current (Typ.)		----	0.2A	0.5A	
Operating Current (Typ.)		----	1.6A	1.8A	
Operating Voltage		----	5.0V	6.0V	
Package Style		9mm			



**Package View:**

**PIN Bottom View:**


1	LD(+)
2	LD(-)

Electrically shorten LD module and store in non-extreme conditions.  
 Suggest using the constant current power supply.

